

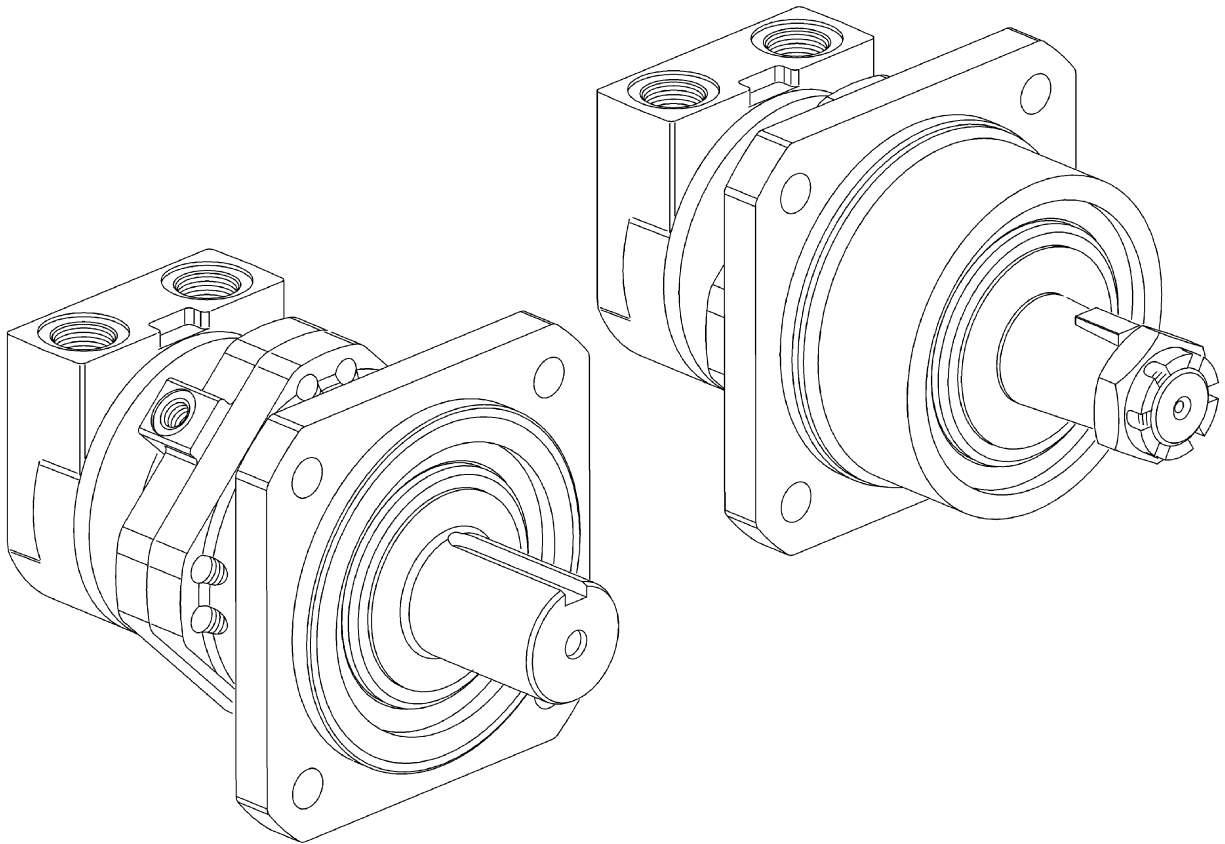


Hydraulics

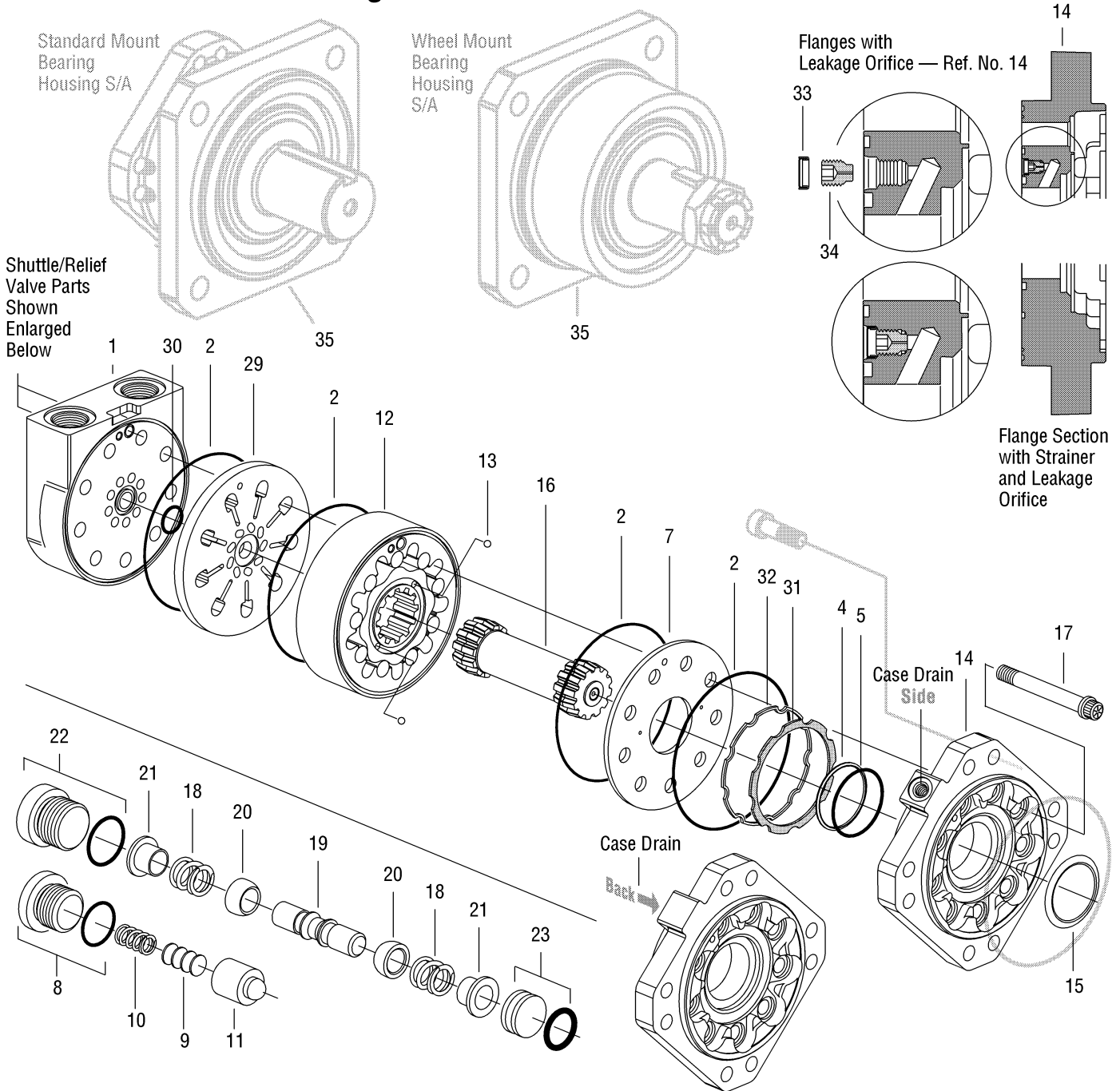
Hydraulic Motor

Series VIS 45 Standard Mount, Wheel Mount

003



Series VIS 45 Parts Dwg



Displacement cm ³ /r [in ³ /r]	Ref. No. 12 Geroler®		Width mm [inch]	Ref. No. 16		Item Ref. No. 17	
	Standard	Tight Fitting		Drive	Length mm [inch]	Screw, Cap 12 Pt	Length mm [inch]
519 [31.7]	201414-002	202314-002	33,1 [1.30]	201361-002	149,5 [5.89]	113388-575	146,0 [5.75]
572 [34.9]	201414-003	202314-003	36,3 [1.43]	201361-003	152,8 [6.02]	113388-575	146,0 [5.75]
636 [38.8]	201414-004	202314-004	40,6 [1.60]	201361-004	156,9 [6.18]	113388-600	152,4 [6.00]
803 [49.0]	201414-005	202314-005	51,3 [2.02]	201361-005	167,6 [6.60]	113388-625	158,7 [6.25]
991 [60.5]	201414-006	202314-006	63,2 [2.49]	201361-006	178,1 [7.07]	113388-675	171,4 [6.75]
1245 [76.0]	201414-007	202314-007	79,4 [3.13]	201361-007	195,8 [7.71]	113388-750	190,5 [7.50]
1557 [95.0]	201414-008	202314-008	99,2 [3.91]	201361-008	215,6 [8.49]	113388-825	209,5 [8.25]

VIS Standard and Wheel Mount Motors



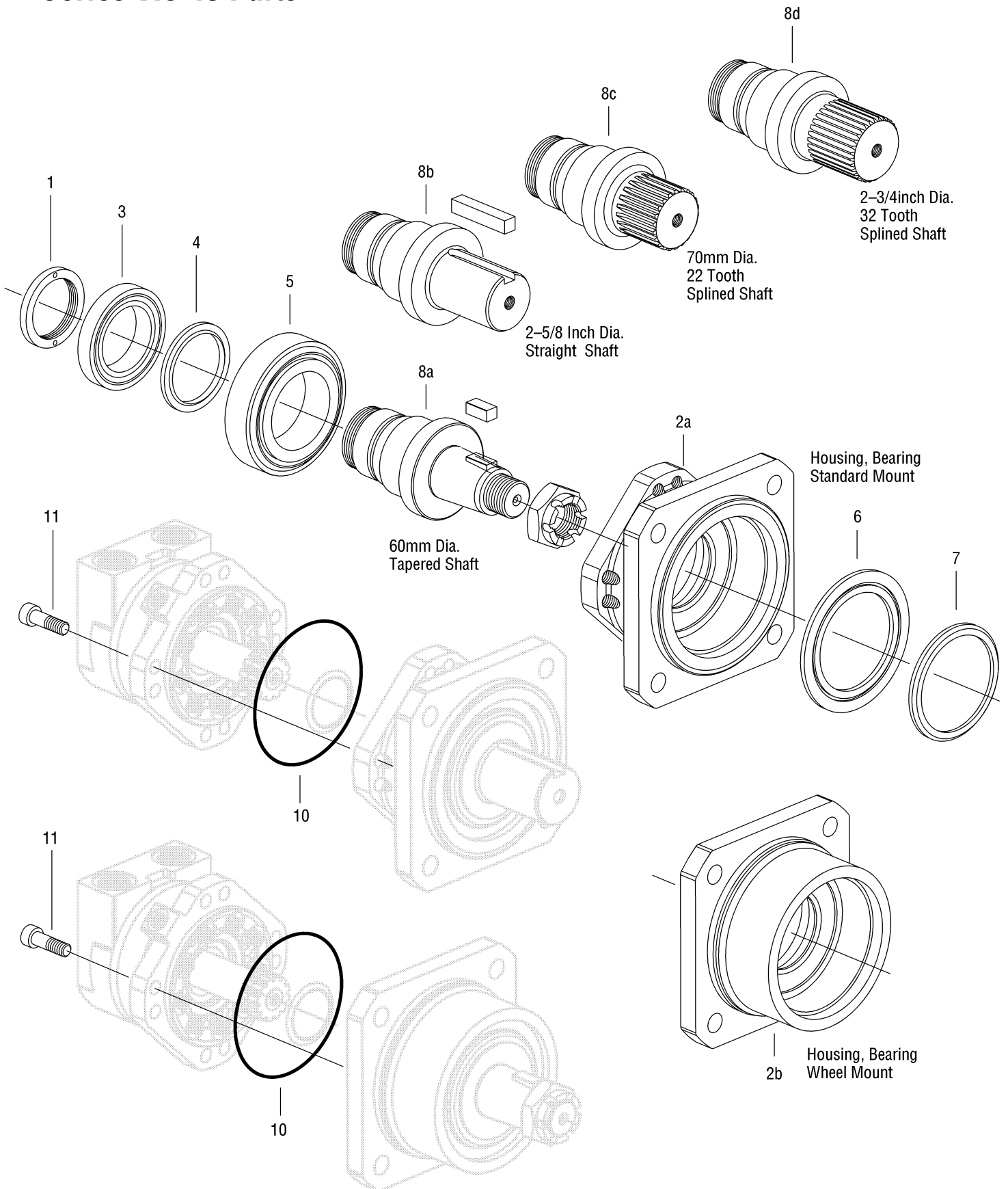
Ref. No.	Part No.	Description	Quantity
1	201431-001	End Cap Assembly 1-5/16-12 UN-2B O-ring Ports (2)	1
X 2	14559-007	Seal, Square Cut	4
X 4	14653-001	Ring, Back-up	1
X 5	14502-144	O-ring	1
7	201366-002	Plate, Balance	1
	202162-001	Plate, Balance	1
8	9072-004	Plug/O-ring Sub Assembly (1/2-20 UNF-2A — 11,4 [.45] Overall Length)	1
X	250003-905	O-ring	1
9	16048-500	Shim	A/R
10	17024-024	Spring	1
11	201495-004	Poppet	1
12	*	Geroler®	1
13	285020-060	Ball	2
14		Flange, Mounting	
	23413-020	8 bolt (for motor w/check valve and leakage orifice) * *	1
	23413-022	8 bolt (for motor w/check valve and leakage orifice) 9/16-18 UNF 2B o-ring case drain port (Side) * *	1
X 15	6992-000	Seal, Face	1
16	*	Drive	1
17	*	Screw, Cap	9
18	230079-000	Spring	2
19	201494-001	Piston, Shuttle	1
20	8567-000	Poppet	2
21	8755-000	Sleeve Dash Pot	2
22	9266-006	Plug/O-ring Sub Assembly (9/16-18 UNF-2A — 14,7 [.58] Overall Length)	1
X	250003-906	O-ring	1
23	201868-001	Plug/O-ring Sub Assembly	1
X	14502-012	O-ring	1
25	9072-005	Plug/O-ring Sub Assembly	1
X	250003-906	O-ring	1
26	9072-010	Plug/O-ring Sub Assembly (1-5/16 - 12 UN-2A — 19,0 [.75] Overall Length)	2
X	250003-916	O-ring	2
27	285020-140	Ball	2
29	201746-001	Valve, Plate	1
X 30	14502-023	O-ring	1
X 31	14720-001	Seal	1
X 32	14713-001	Ring, Back-up	1
33	31500-452	Strainer	1
34	9289-001	Plug, Orifice	1
35	202009-004	Bearing Housing, Standard Mount 2-5/8 Inch Straight Shaft (see page 4 and 5 for parts breakdown)	1
	202009-008	Bearing Housing, Wheel Mount 2-5/8 Inch Straight Shaft (see page 4 and 5 for parts breakdown)	1
	202009-009	Bearing Housing, Standard Mount 60 mm Tapered Shaft (see page 4 and 5 for parts breakdown)	1
	202009-000	Bearing Housing, Wheel Mount 60 mm Tapered Shaft (see page 4 and 5 for parts breakdown)	1
	202009-005	Bearing Housing, Standard Mount 70 mm 22 Tooth Splined Shaft (see page 4 and 5 for parts breakdown)	1
	202009-006	Bearing Housing, Standard Mount 2-3/4 Inch 32 Tooth Splined Shaft (see page 4 and 5 for parts breakdown)	1

* See Chart on Page 2

** See Page 2

A/R — As Required

Series VIS 45 Parts



Series VIS 45 Parts List

Ref. No.	Part No.	Description	Quantity
1	14686-001	Retaining Ring	1
2	201996-001	Housing Bearing (Standard Mount)	1
	201996-004	Housing Bearing (Wheel Mount)	1
3	9103-019	Bearing	1
X 4	14813-001	Seal	1
5	9103-020	Bearing	1
6	202029-002	Front Retainer	1
X 7	14628-009	Seal protector	1
8a	202008-003	Shaft — 2-5/8 Inch Straight	1
	14770-001	Key for 2-5/8 Inch Straight	1
8b	202008-007	Shaft — 60 mm Tapered	1
	14828-001	Key for 60 mm Tapered Shaft	1
	14827-001	Nut for 60 mm Tapered Shaft	1
8c	202008-004	Shaft — 70 mm 22 Tooth Splined	1
8d	202008-008	Shaft — 2-3/4 Inch 32 Tooth Splined	1
X 10	250001-163	O-ring	1
11	1633-916	Screw	8
	61310-000	Seal Kit — Contains Parts Indicated by X	

Notes: _____

Notes: _____

Series VIS 45

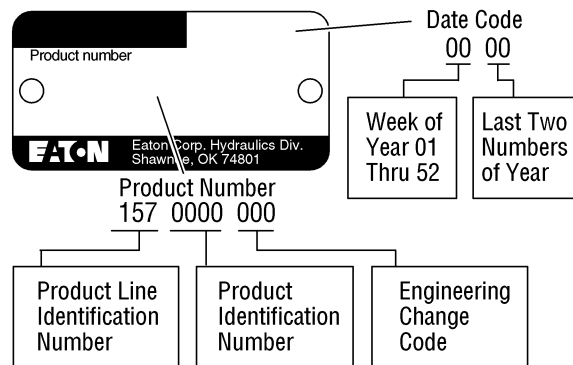
How to Order Replacement Parts

Each Order Must Include the Following:

1. Product Number
2. Date Code
3. Part Name
4. Part Number
5. Quantity of Parts

For More Detailed Information Contact Eaton Corp. Hydraulics Division 15151 Highway 5 Eden Prairie, MN 55344.

- Specifications listed on Specification Sheet No.1-160.
- When servicing VIS 45 Series Motors refer to Repair Information No. 7-154. This repair manual lists tools required, and step by step disassembly and reassembly procedures.



Eaton
14615 Lone Oak Road
Eden Prairie, MN 55344
USA
Tel: 952 937-9800
Fax: 952 974-7722
www.hydraulics.eaton.com

Eaton
20 Rosamond Road
Footscray
Victoria 3011
Australia
Tel: (61) 3 9319 8222
Fax: (61) 3 9318 5714

Eaton
46 New Lane, Havant
Hampshire PO9 2NB
England
Tel: (44) 23 92 486 451
Fax: (44) 23 92 487 110