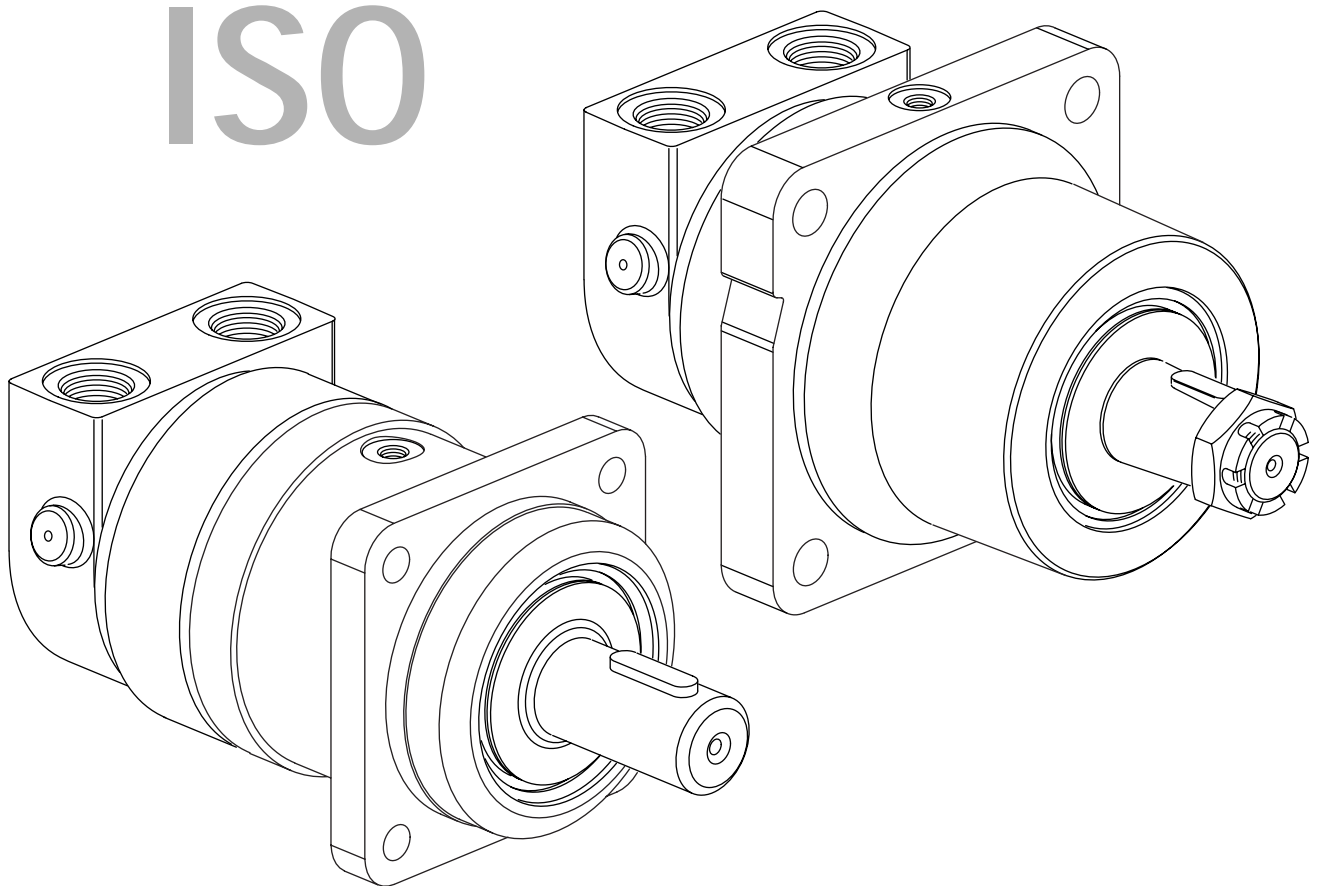




Parts Information

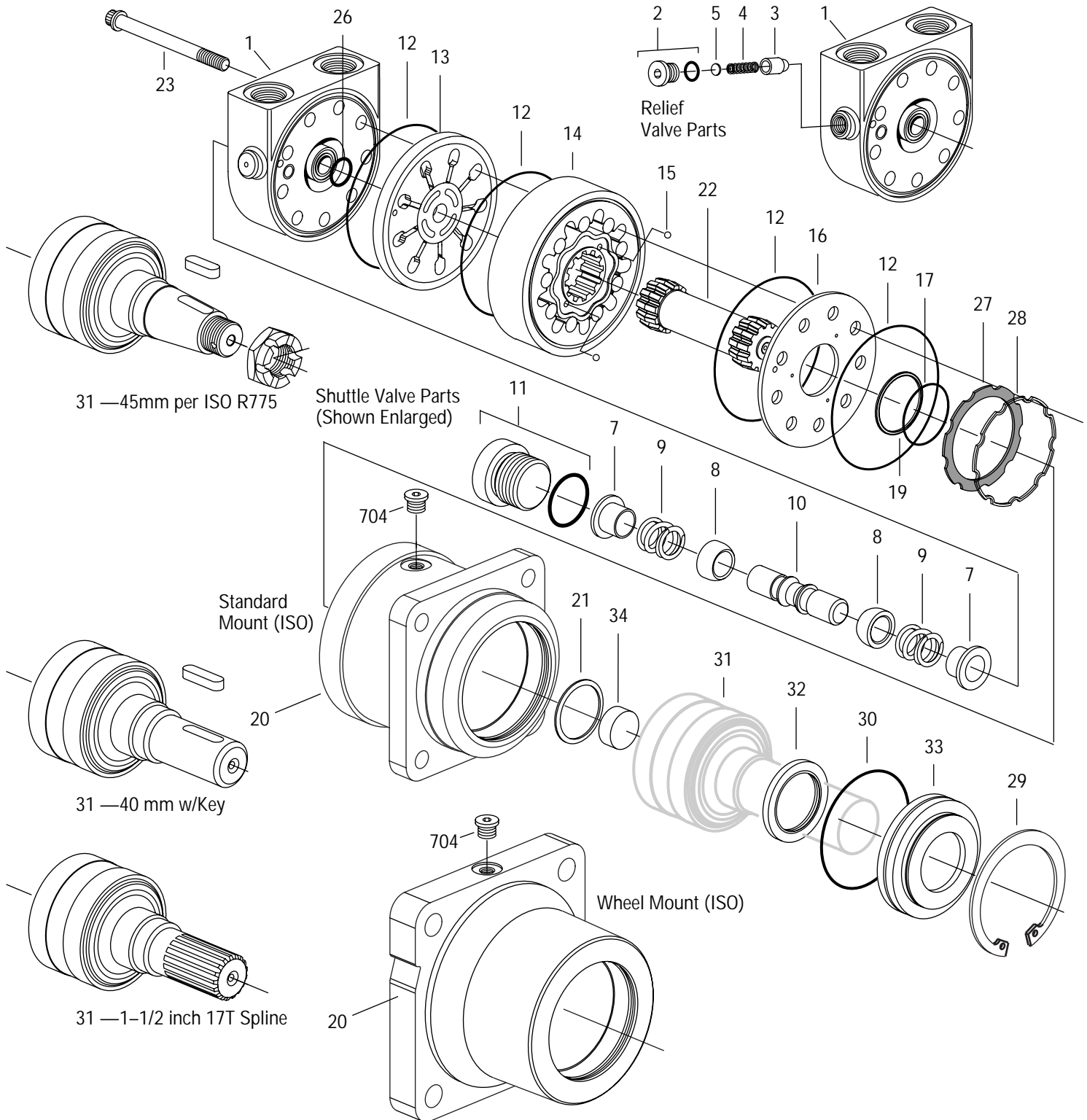
ISO



Series VIS 30
Standard and Wheel Motors (ISO)

002

Series VIS 30 — Parts Dwg



Ref. No.	Part No.	Description	Quantity
1	201519-004	End Cap Assembly G 3/4 (BSP) O-ring Ports (2)	1
	201737-00X	End Cap Assembly G 3/4 (BSP) O-ring Ports (2) w/Relief Valve Bore	1
2	9072-004	Plug/O-ring (for relief valve unit only)	1
X	250003-905	O-ring	1
3	201495-004	Poppet (for relief valve unit only)	1
4	17024-026	Spring (for relief valve unit only)	1
5	16048-500	Shim (for relief valve unit only)	A/R
7	8755-000	Sleeve, Dash Pot	2
8	8567-000	Poppet	2
9	230079-000	Spring	2
10	201494-001	Piston, Shuttle	1
11	9266-006	Plug/O-ring Sub Assembly	1
X	250003-906	O-ring	1
X 12	14559-014	Seal	4
13	201946-001	Plate, Valve	1
14	*	Geroler®	1
15	285020-060	Ball	2
16	201273-001	Plate, Balance	1
X 17	250002-032	O-ring	1
X 19	14693-001	Ring, Back-up	1
20	202245-010	Flange, Mounting (Standard) — G 1/4 (BSP) O-ring Case Drain Port	1
	202245-004	Flange, Mounting (Wheel) — G 1/4 (BSP) O-ring Case Drain Port	1
X 21	9080-001	Seal, Face	1
22	*	Drive	1
23	*	Screw, Cap — 12 pt.	9
X 26	250183-002	O-ring	1
X 27	14720-002	Seal (for relief valve unit only)	1
X 28	14713-002	Ring, Back-up	1
29	16077-063	Ring, Retaining	1
X 30	250002-044	O-ring	1
31	202241-012	Shaft S/A (40 mm Straight)	1
	14458-010	Key (for 40 mm Straight)	1
	202241-011	Shaft S/A (1-1/2 Inch 17 Tooth Splined)	1
	202241-004	Shaft S/A (45 mm Tapered)	1
	14458-001	Key (for 45 mm Tapered)	1
	14685-001	Nut (for 45 mm Tapered)	1
X 32	14812-001	Seal, Shaft	1
33	202243-001	Front Retainer	1
34	202879-001	Spacer, Drive	1
704	9170-002	Plug (Includes Integral Packing Ring)	1
	61338-000	Seal Kit — Contains Parts Indicated by X	

* See Chart Below A/R — As Required

Displacement cm ³ /r [in ³ /r]	Ref. No. 14 Geroler®	Width mm [inch]	Ref. No. 22 Drive	Length mm [inch]	Ref. No. 23 Screw, Cap	Length mm [inch]
246 [15.0]	201280-002	24,0 [.94]	201901-002	108,0 [4.25]	16326-425	107,9 [4.25]
323 [19.7]	201280-003	31,4 [1.24]	201901-003	114,8 [4.52]	16326-450	114,3 [4.50]
397 [24.2]	201280-005	38,6 [1.52]	201901-005	123,1 [4.85]	16326-475	120,6 [4.75]
492 [30.0]	201280-006	47,9 [1.89]	201901-006	131,3 [5.17]	16326-500	127,0 [5.00]
623 [38.0]	201280-007	60,7 [2.39]	201901-007	144,0 [5.67]	16326-550	139,7 [5.50]

Series VIS 30

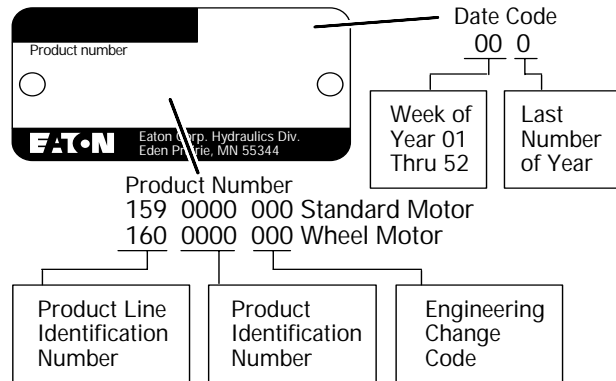
How to Order Replacement Parts

Each Order Must Include the Following:

- | | |
|-------------------|----------------------|
| 1. Product Number | 4. Part Number |
| 2. Date Code | 5. Quantity of Parts |
| 3. Part Name | |

For more detailed information contact Eaton Corp. Hydraulics Division 15151 highway 5 Eden Prairie, MN 55344.

- Specifications and performance data, catalog No. 11-112
- When servicing Series VIS 30 motors refer to Repair Information No. 7-153. This repair manual lists tools required, and step by step disassembly and reassembly procedures.



Eaton Corporation
Hydraulics Division
 15151 Hwy. 5
 Eden Prairie, MN 55344
 Telephone: 612/937-7254
 Fax: 612/937-7130

Eaton Ltd.
Hydraulics Division
 Glenrothes, Fife
 Scotland, KY7 4NW
 Telephone: [+44] (0)1592-771-771
 Fax: [+44] (0)1592-773-184

Eaton B.V.
 Boeing Avenue 11
 1119 PC Schiphol-Rijk
 The Netherlands
 Telephone: [+31] (0)20-655 6776
 Fax: [+31] (0)20-655 6800

Sumitomo Eaton Hydraulic Co.
 8 Temasek Blvd.
 42-01 Suntec Tower Three
 Singapore 03988
 Telephone: [+65] 832-7727
 Fax: [+65] 832-7733

Sumitomo Eaton
 Hydraulic Company Ltd.
 Ooi-Cho Kameoka-Shi
 621-0017 Kyoto
 Japan
 Telephone: [+81] 771-22-9601
 Fax: [+81] 771-29-2020

Eaton Ltd.
 7th Floor, Woo Duk Building
 832-2 Yeoksam-Dong, Kangnam-Ku
 Seoul 135-750
 Korea
 Telephone: [+82] 2-557-0595
 Fax: [+82] 2-557-1634

Eaton Hydraulics (Shanghai) Co. Ltd.
 388 Aidu Road, Waigaogiao FTZ
 Pudong New Area
 Shanghai 200137
 Peoples Republic of China
 Telephone: [+86] 21-5046 0758
 Fax: [+86] 21-5046 0767

Jining Eaton Hydraulic Co. Ltd.
 6 Ji Da Road
 Jining City
 Shandong Province 272131
 Peoples Republic of China
 Telephone: [+86] 537-2221288
 Fax: [+86] 537-2221557



Quality System Certified
 Products in this catalog are manufactured in an ISO-9001-certified site.