

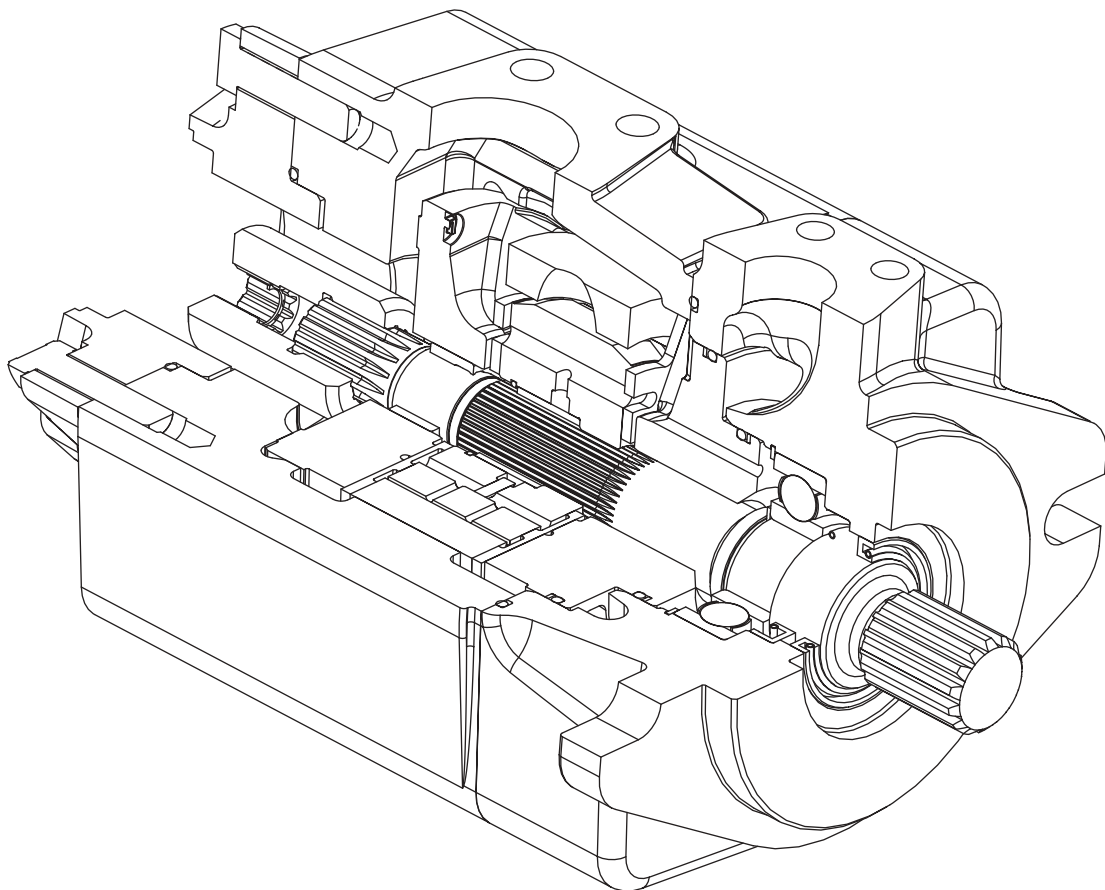
EAT•N

Vickers

**High Pressure, High Performance
Vane Pumps**

Parts Data

VMQ135T Series
- 32 Design



VICKERS[®]

Note: Lubricate all parts and seals with a thin coat of oil at assembly.

- Included in Cartridge Kit (see table 4)
- ▲ Included in 02-334692 STD Seal Kit, Single Shaft Seal or 02-334693 Viton® Seal Kit, Single Shaft Seal.
- △ Included in 02-334694 STD Seal Kit, Double Shaft Seal or 02-334695 Viton® Seal Kit, Double Shaft Seal.
- * See Table X1 and X2 for Kit Rotation Information

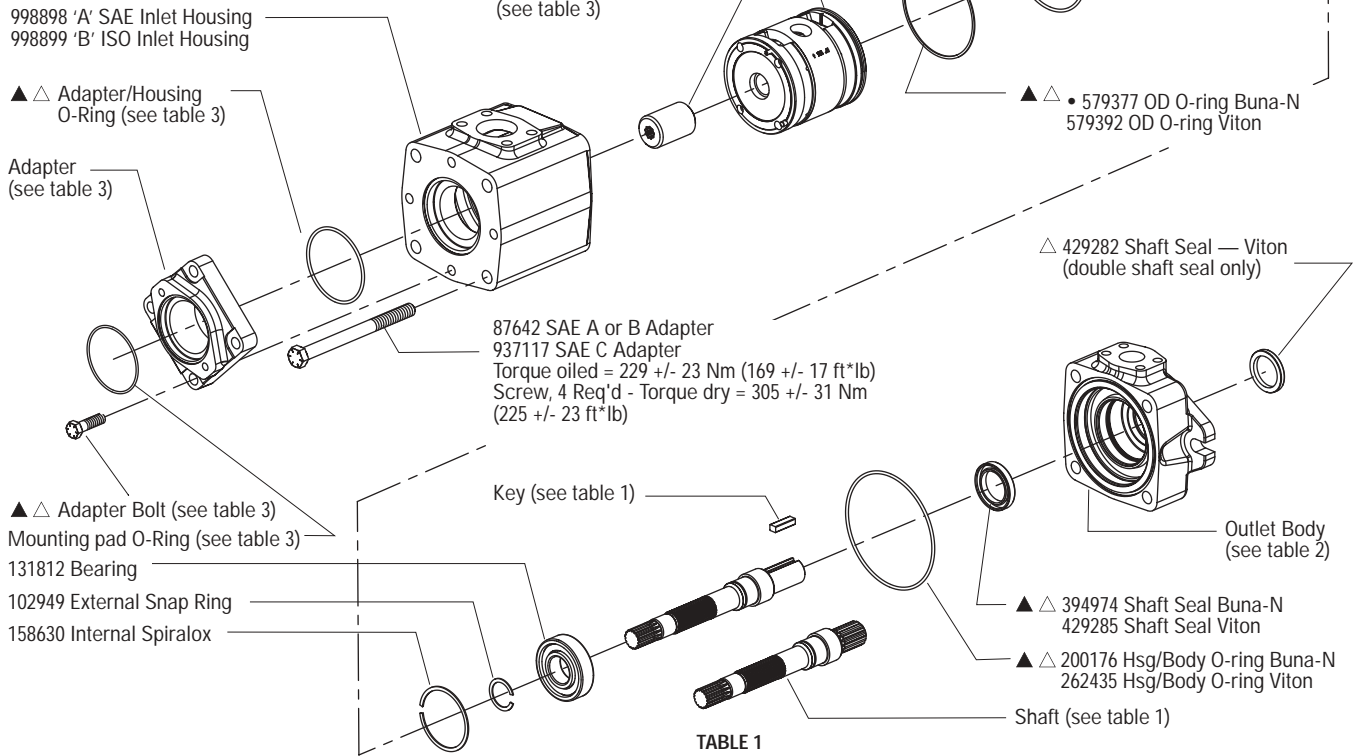


TABLE X1

Cartridge Kit Rotation for Right Hand Rotation Pump

R= Right Hand Rotation		L=Left Hand Rotation	
PUMP ROTATION	SHAFT END KIT ROTATION	CENTER KIT ROTATION	COVER END KIT ROTATION
Single & Thru (R)	(R)	-	-

- *Notes:
- A right hand rotation pump has the shaft turning clockwise when viewed from the input shaft end
 - When ordering a right hand rotation kit, the part number will not have a suffix

TABLE X2

Cartridge Kit Rotation for Left Hand Rotation Pump

R= Right Hand Rotation		L=Left Hand Rotation	
PUMP ROTATION	SHAFT END KIT ROTATION	CENTER KIT ROTATION	COVER END KIT ROTATION
Single & Thru (L)	(L)	-	-

- *Notes:
- A left hand rotation pump has the shaft turning counterclockwise when viewed from the input shaft end
 - When ordering a left hand rotation kit, the part number will have a suffix of '-L'

TABLE 3

MODEL CODE THRU DRIVE COMPONENTS	OUTLET SPLINE SIZE	ADAPTER MOUNTING PAD SIZE	ADAPTER/ HOUSING O-RING		MOUNTING PAD O-RING		COUPLING ASSEMBLY	ADAPTER BOLT	ADAPTER TORQUE NM (FT·LB)		
			BUNA N	VITON	BUNA N	VITON			DRY	OILED	
VMQ135T-*.***.*-16	SAE A	SAE A	937081	200159	262418	353409	576601	02-315059	1315	153±16 (113±11)	115±12 (85±9)
VMQ135T-*.***.*-22	SAE B	SAE B	998588	200159	262418	375422	401525	02-315058	1315	153±16 (113±11)	115±12 (85±9)
VMQ135T-*.***.*-25	SAE B-B	SAE B	998588	200159	262418	375422	401525	02-315057	1315	153±16 (113±11)	115±12 (85±9)
VMQ135T-*.***.*-32	SAE C	SAE C	998589	200159	262418	312092	353264	02-315056	-	305±31(225±23)	229±23 (169±17)

TABLE 1

MODEL CODE	SHAFT	KEY
VMQ135T-*.***.*-01	937103	928541
VMQ135T-*.***.*-02	937104	—
VMQ135T-*.***.*-03	937105	928546
VMQ135T-*.***.*-04	937106	928564
VMQ135T-*.***.*-05	937107	928542
VMQ135T-*.***.*-06	937108	—
VMQ135T-*.***.*-07	937109	928547
VMQ135T-*.***.*-08	937110	928565

TABLE 2

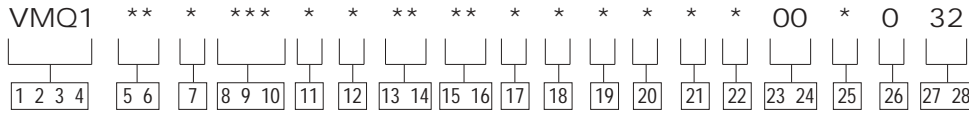
OUTLET BODY				
Flange Mounting Style	Single Shaft Seal		Double Shaft Seal	
	Inch Port Threads	Metric Port Threads	Inch Port Threads	Metric Port Threads
SAE C	998732	998734	998733	998735
ISO 125	—	998736	—	998737

TABLE 4

MODEL CODE	* • CARTRIDGE KIT (BUNA-N)	* • CARTRIDGE KIT (VITON®)
VMQ135*090	02-346986	02-346987
VMQ135*100	02-346984	02-346985
VMQ135*112	02-346982	02-346983
VMQ135*125	02-346980	02-346981
VMQ135*135	02-346978	02-346979
VMQ135*140	02-348374	02-348376
VMQ135*158	02-348181	02-348180

Viton® is a registered trademark of E.I. Dupont Co.

Model Code



1 2 3 4 Series designation
VMQ1 – Vane pump single series

5 6 Frame size
35 – 90-158 cm³/r (5.49-9.64 in³/r)

7 Pump type
T – Thru-drive
(Options at model codes **12** and **15 16** must be specified for thru-drive units)

8 9 10 Displacement
Frame size 35
090 – 90 cm³/r (5.49 in³/r)
100 – 100 cm³/r (6.10 in³/r)
112 – 112 cm³/r (6.83 in³/r)
125 – 125 cm³/r (7.63 in³/r)
135 – 135 cm³/r (8.24 in³/r)
140 – 140 cm³/r (8.54 in³/r)
158 – 158 cm³/r (9.64 in³/r)

11 Front flange mounting style
B – SAE C 2-bolt
127,00 (5.000) x 12,4 (0.49) pilot
17,6 (0.69) slots on
181,0 (7.13) bolt circle
D – ISO 3019/2 125A2HW 2-bolt
125,00 (4.921) x 9,2 (0.36) pilot
18,1 (0.71) slots on
180,0 (7.09) bolt circle

12 Rear mounting flange and orientation
Viewed from adapter end of pump
SAE A
C – 45° CCW to mounting flange
D – 45° CW to mounting flange
SAE B
G – 45° CCW to mounting flange
H – 45° CW to mounting flange
SAE C
J – In-line with mounting flange
K – 90° to mounting flange

13 14 Input shaft type*
01 – SAE J744 keyed
Frame size 35: 31,75 (1.250)
02 – SAE J744 splined
Frame size 35: C
03 – ISO 3019/2 keyed
Frame size 35: 32,00 (1.260)
05 – SAE J744 keyed
Frame size 35: 38,10 (1.500)
06 – SAE J744 splined
Frame size 35: C-C
07 – ISO 3019/2 keyed
Frame size 35: 40,00 (1.575)

15 16 Output shaft coupling
Thru-drive units, model code **7** = T
16 – SAE J744 16-4 A-spline shaft
22 – SAE J744 22-4 B-spline shaft
25 – SAE J744 25-4 B-B-spline shaft
32 – SAE J744 32-4 C-spline shaft (frame sizes 35 & 45 only)

17 Inlet port type
A – SAE J518 4-bolt split flange
B – ISO 6162 4-bolt split flange

18 Outlet port type
A – SAE J518 4-bolt flange
B – ISO 6162 4-bolt flange

19 Outlet port position
Viewed from adapter end of pump
A – Opposite inlet port
B – 90° CCW to inlet port
C – In-line with inlet port
D – 90° CW to inlet port

20 Shaft seal
A – Single, primary
B – Double, secondary (spring side out)
Recommended for wet mount applications

21 Seal type
N – Buna N
V – Viton
W – Buna N with Viton shaft seal(s)

22 Shaft rotation
Viewed from shaft end of pump
L – Left hand (CCW)
R – Right hand (CW)

23 24 Special features
00 – None

25 Paint
0 – None
A – Blue

26 Customer identification
0 – None

27 28 Design code
32 – 32 design
Installation dimensions remain unchanged for design numbers 30 to 39 inclusive.

* Verify shaft torque ratings meet or exceed input torque requirements

Eaton
14615 Lone Oak Road
Eden Prairie, MN 55344
USA
Tel: 952 937-9800
Fax: 952 974-7722
www.hydraulics.eaton.com

Eaton
20 Rosamond Road
Footscray
Victoria 3011
Australia
Tel: (61) 3 9319 8222
Fax: (61) 3 9318 5714

Eaton
Dr.-Reckeweg-Str. 1
D-76532 Baden-Baden
Germany
Tel: (49) 7221 682-0
Fax: (49) 7221 682-788

VICKERS[®]

EATON

Vickers

© 2003 Eaton Corporation
All rights reserved
Printed in USA
Document No. V-PUVN-TP006-E
June 2003 1M