

Service Data

Vickers®

# Piston Pumps

---



## 90 USgpm Variable Delivery Inline Piston Pumps

PVB90-(F)RSF-20-C-10

PVB90-(F)LSF-20-C-10



Revised 10-01-85

I-3290-S

\*LH Models only (Arrow on plate points up.)

\*\*RH Models only (Arrow on plate points up.)

Valve Plate	Model
295214	PVB90-(F)RSF-20-C-10
297951	PVB90-(F)LSF-20-C-10

- 295274 Tube S/A
- 307413 Fitting
- ▲ 263495 "O" Ring
- Spacer (See table)
- ▲ 194669 "O" Ring

- 212335 Screw (4 req'd)
- 295085 Adapter
- ▲ 295076 Gasket
- 295077 Cap
- 275505 Screw (4 req'd)

- 295679 Spring
- 295678 Spring
- 295078 Seat
- 11170 Screw (6 req'd)  
(Torque to 110-130 lb. ft.)

- \*227401 Screw (2 req'd)
- \*404751 Plate
- \*7076 Plug

- \*\*227401 Screw (2 req'd)
- \*\*404751 Plate

- 212267 Screw (8 req'd)
- 361068 Cover (2 req'd)
- ▲ 363070 Gasket (2 req'd)
- 287184 Spacer (2 req'd)
- 402152 Bearing (2 req'd)
- 312656 Pintle (2 req'd)

- 181765 Plug
- ▲ 154132 "O" Ring
- 287285 Shim (2 places as req'd)  
(To obtain a clearance of .002 to .006 inch between 32562 Shoe Plate and 287183 Plates.)
- 1228 Screw (4 req'd)  
(Torque to 130-150 lb. in.)

- 942084 Piston S/A Kit (Includes 9 Piston & Shoe S/A)

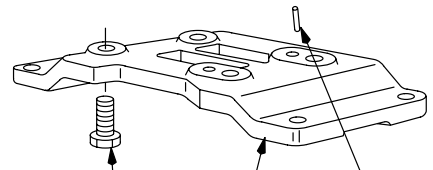
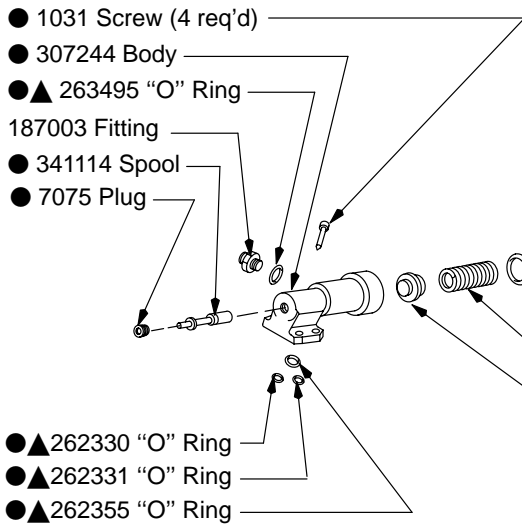
P/N	Model
342767	
342768	
342769	
342770	

- 325652 Shoe Plate
- 287180 Swash Plate
- 287183 Plate (2 req'd)
- 298172 Screw (2 req'd)  
(Torque to 190-210 lb. ft.)
- 295012 Yoke S/A

- 248444 Spherical Washer
- 261437 Back-up Washer
- 248861 Pin (4 req'd)
- 325650 Cylinder Block
- 248567 Thrust Washer
- 249901 Spring

■ 263039 Lift Limiter Sleeve  
(Machine sleeve (non-chamfered end) length to provide .005 to .008 inch clearance (see back page) between cylinder block and housing face without 249901 spring installed. Chamfer I.D. of machined end .030 inch x 45 degree.)

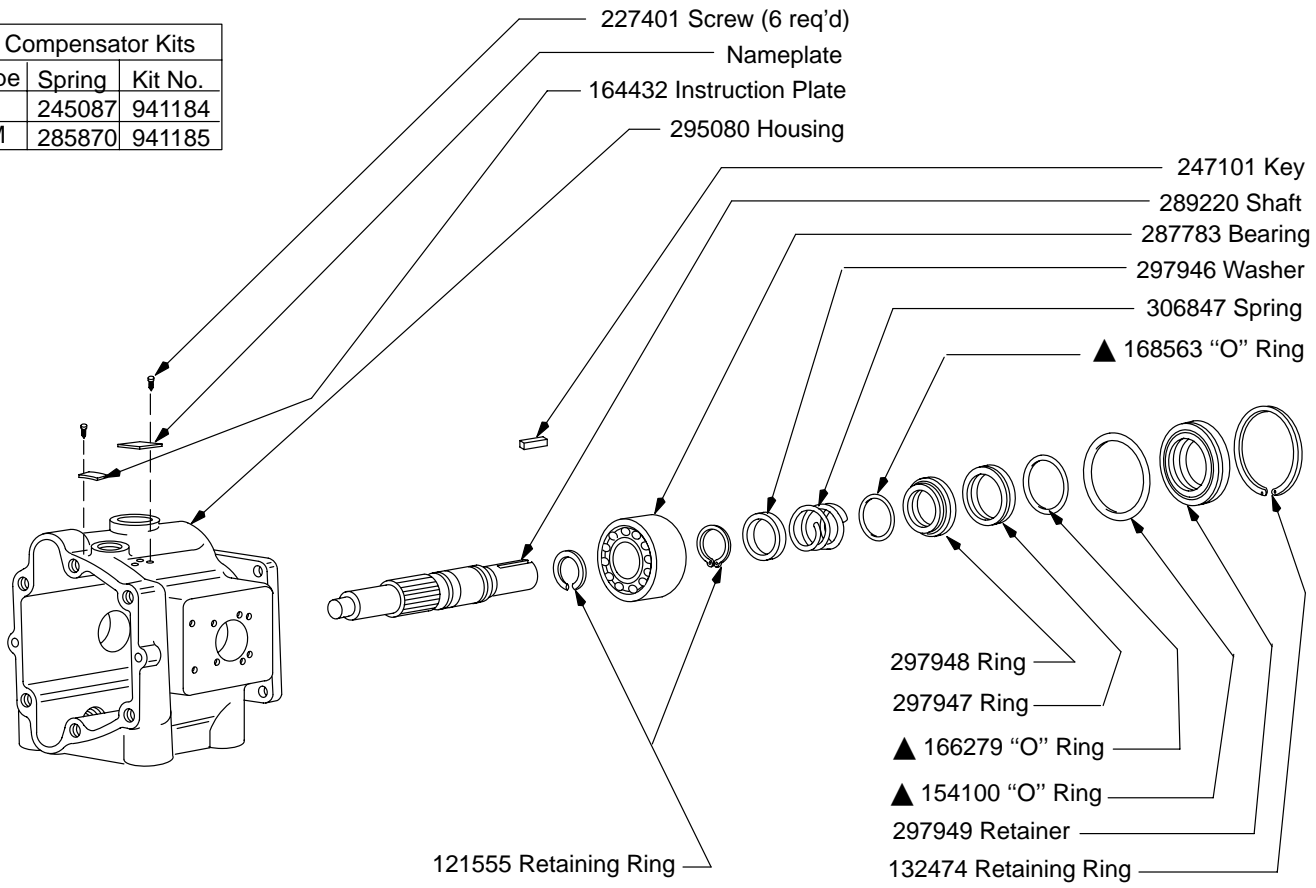
- 263038 Lift Limiter Washer
- 190275 Retaining Ring
- 162513 Retaining Ring
- 271537 Bearing
- ▲ 248450 Gasket
- 112934 Pin (2 req'd)



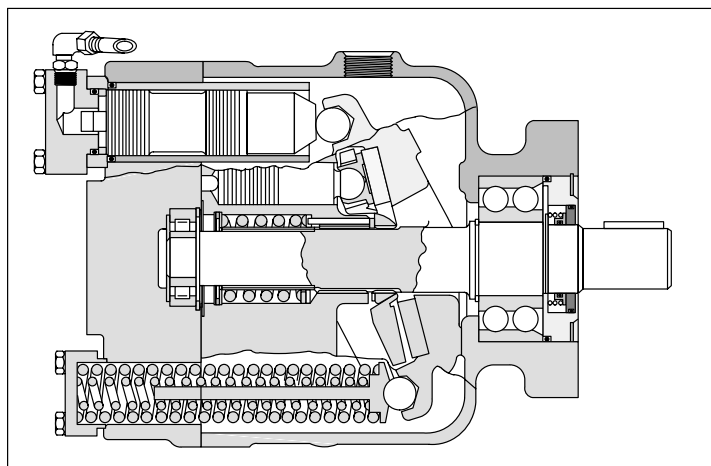
Model	Screw (4 req'd)	Bracket	Pin (2 req'd)
PVB90-F*SF-20-C-10	212466	279040	19089

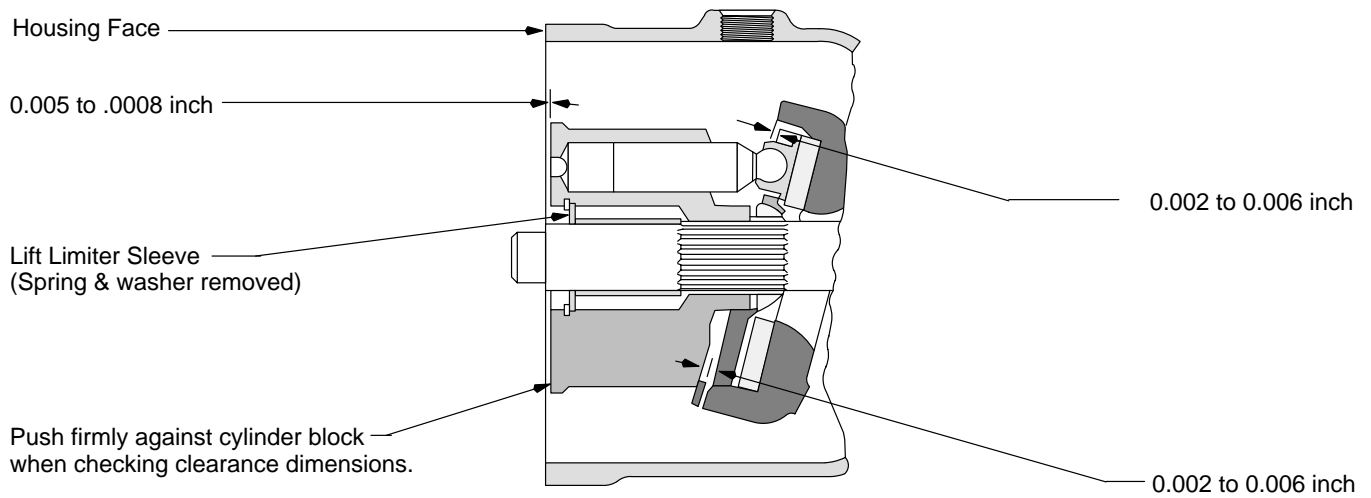
- 297950 Adjusting Screw
- ▲ 262344 "O" Ring
- Spring (See table)
- 247354 Seat

● Compensator Kits		
Type	Spring	Kit No.
C	245087	941184
CM	285870	941185



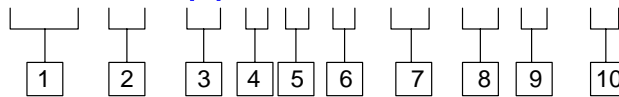
- Included in 938291 Rotating Group Kit
- ▲ Included in 919506 Seal Kit
- F3 Equivalent 920245 Seal Kit





## MODEL CODE BREAKDOWN

**PVB 90 - (F) \* S F - 20 - C \* - 1**



**1 Model**

Variable displacement pump,  
inline type

**2 Flow rating @ 1800 rpm**

90 - 90 USgpm

**3 Mounting**

F - Foot bracket  
(Omit for flange mount)

**4 Rotation**

Viewing from shaft end  
L - Left hand  
R - Right hand

**5 Swash Plate Movement**

S - One side of center

**6 Port Options**

F - Flanged port - SAE 4 bolt

**7 Pump Design**

**8 Compensator Control**

**9 Compensator Piston  
Limiting Spacer**

9-90%  
8-80%  
7-70%  
6-60%

**10 Control Design Number**

For satisfactory service life of these components, use full flow filtration to provide fluid which meets ISO cleanliness code 16/13 or cleaner. Selections from pressure, return, and in-line filter series are recommended.

Printed in U.S.A.