

# Eaton Hydraulics Division

## Product Data Sheet

### Model 77021 1:4 Planetary Gear Step-Up Box with Fixed Piston Pump

#### Specifications

**540 R.P.M.  
P.T.O. Driven**

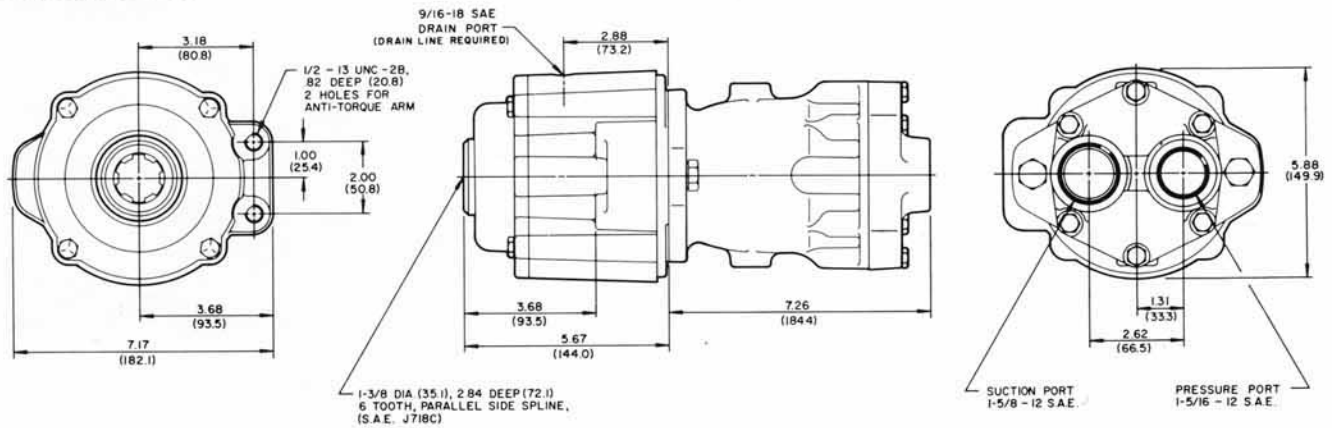
##### Step-Up Box Data

Maximum Continuous Input Torque 350 ft. lbs. (474.6 N-m)  
 Maximum Intermittent Input Torque 584 ft. lbs. (792 N-m)  
 Maximum Continuous Input Horsepower 36 Hp. (27 kW)  
 Maximum Intermittent Input Horsepower 60 Hp. (45 kW)  
 Maximum Operating Temperature 225° F. (107° C)  
 Maximum Case Pressure 30 P.S.I. (2.07 Bar)  
 Paint Primer

##### Pump Data

Maximum Continuous Inlet Temperature 225° F. (107° C)  
 Maximum Inlet Vacuum 6 in. Hg. (0.80 Bar absolute)  
 Assembly Weight Approx. 33.75 (15.3 kg.)  
 Paint Primer

#### Dimensions



#### Ordering Information

Step-Up Box & Piston Pump Assembly No.	*Step-Up Box Order Number	*Piston Pump Order Number	Displacement Cu. In./Rev. (mL/Rev.)	Max. Input R.P.M.	Pump R.P.M.	Max. P.S.I. (Bar)	G.P.M. (L/min.) At Max. P.S.I. And Pump Speed	Input Horsepower (kW) At Max P.S.I. And Pump Speed
77021-LAJ	77020-AA	73424-LAC	2.01 (32.9)	540	2160	4150 (286)	17.7 (67.0)	53 (40)
77021-LAK	77020-AA	73418-LAK	2.32 (38.0)	540	2160	4000 (276)	20.4 (77.2)	60 (45)
77021-LAA	77020-AA	73428-LAE	2.77 (45.4)	540	2160	3500 (242)	24.3 (92.0)	60 (45)

\* A mounting kit is required for assembly of step-up box to piston pump, order mounting kit 77002-904 for each final assembly. Mounting kit includes capscrews, o-ring, retaining rings and sun gear.

**Caution:** An anti torque arm is required to secure step-up box and pump when installed on P.T.O. shaft.

Eaton Corporation **Hydraulics Division** 15151 Highway 5 Eden Prairie, MN 55344 Telephone (612) 937-9800

Eaton G.m.b.H. **Hydraulics Division** 100 410 · D-5620 Velbert 1 West Germany (0 20 51) 20 70

