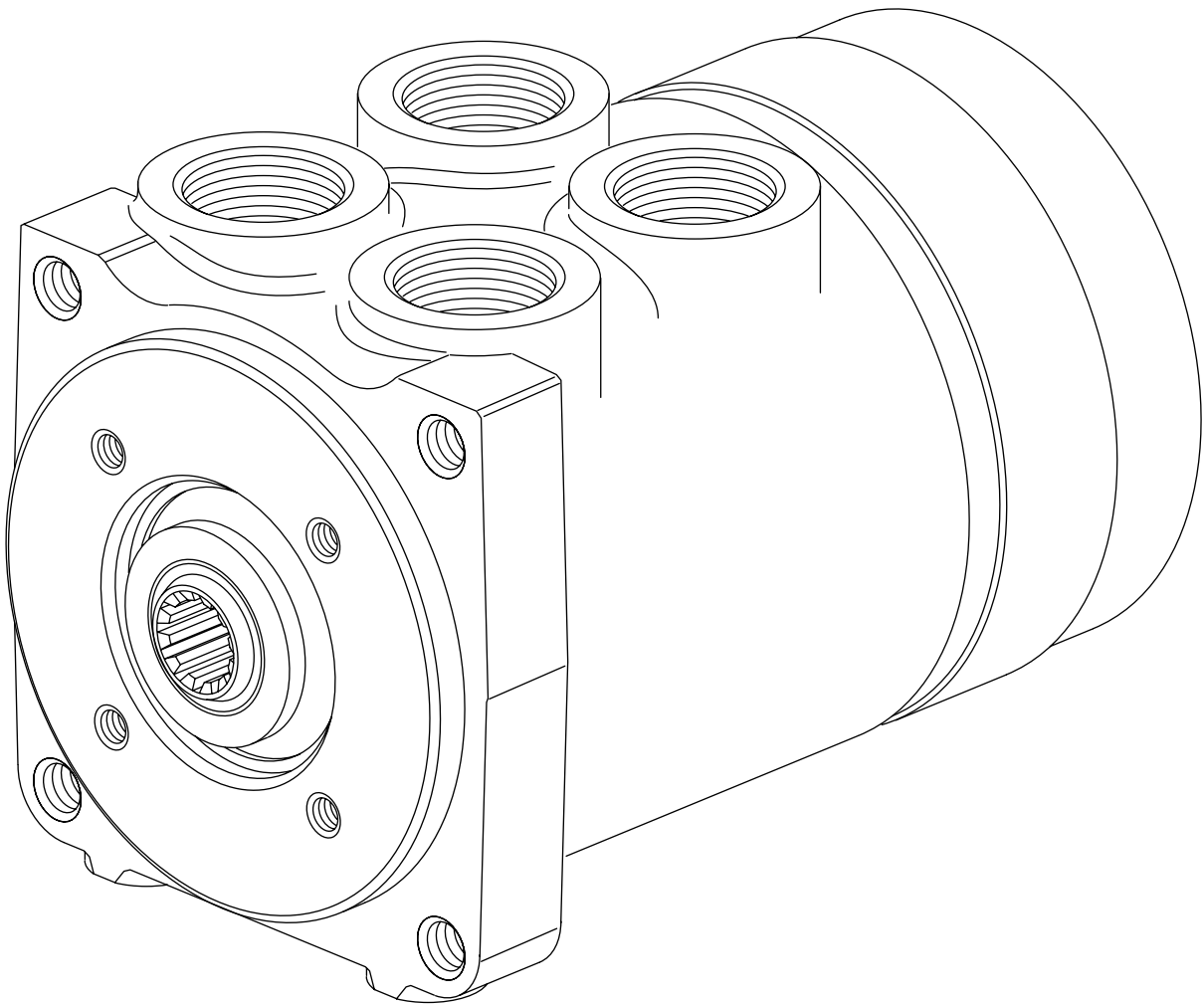


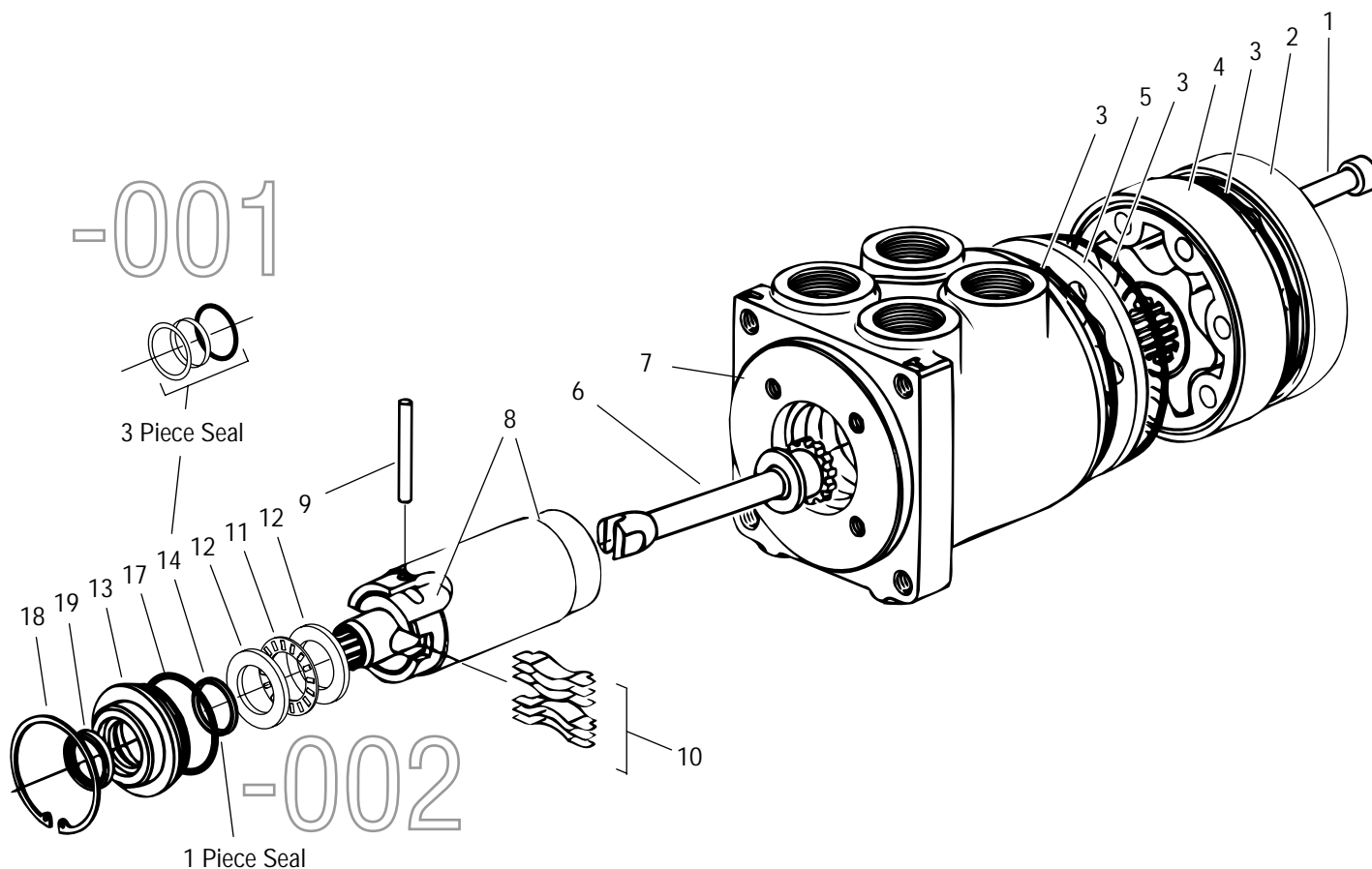


Parts Information



40 Series
Steering Control Units

001 002



Actual Displacement cm ³ /r [in ³ /r]	Ref. No. 4 Gerotor		Ref. No.1 Socket Head Cap Screw	
	Part No.	Width mm [in.]	Part No.	Length mm [in.]
1230 [75]	21519-005	57,7 [2.27]	16148-836	95,2 [3.75]
1555 [95]	21519-006	72,9 [2.87]	16148-844	114,3 [4.50]
1965 [120]	21519-007	91,9 [3.62]	16148-852	133,3 [5.25]
2460 [150]	21519-008	115,1 [4.53]	16148-861	155,4 [6.12]
3030 [185]	21519-009	142,0 [5.59]	16148-871	180,8 [7.12]

Ref. No.	Part Number	Description	Qty. Per Unit
1	*	Screw, Cap	7
2	21509-000	Cap, End	1
X 3	250001-048	Seal, O-ring, 120,4 mm [4.74 in.] ID	3
4	*	Gerotor	1
5	21847-000	Plate, Wear	1
6	21514-000	Drive	1
7	NSS	Housing	1
8	NSS	Sleeve, Control	1
	NSS	Spool, Control	1
9	14451-000	Pin, Centering	1
**10	NSS	Spring, Centering	6/8
11	5544-000	Bearing, Needle Thrust	1
12	8329-000	Race, Bearing	2
13	21513-000	Retainer, Front	1
X 14	9233-001	Seal, 25,4 mm [1.00 in.] ID	1
X 17	250001-136	Seal, O-ring, 50,5 mm [1.99 in.] ID	1
18	14296-000	Ring, Retaining	1
X 19	844-000	Seal, Dust, 31,7 mm [1.25 in.] OD	1
	64468-000	Seal Kit — Contains Parts Indicated by X.	

* — See Chart on Page 2 for Information on Specific Models

** — Ref. 10 Sold only in Kit form, Spring Kit No. 64428-001 Includes 8 Springs, Use 6 springs on 40 Series Closed center and Load Sensing Steering Control Units (8 Springs are required on 35 Series and 40 Series Open Center Steering Control Units).

NSS — Not Sold Separately

40 Series Steering Control Units

40 Series SCU

System	Signal	Load Circuit	Rated Flow l/min [GPM]	O-ring Port Size	Actual Displacement cm ³ /r [in ³ /r] — Product Number				
					1230 [75]	1555 [95]	1965 [120]	2460 [150]	3030 [185]
Open Center	N/A	Non Load Reaction	151 [40]	1- 5/16-12	281-1001	281-1002	281-1003	281-1004	281-1005
				1- 5/16-12	282-1010	282-1011	282-1012	282-1013	282-1014
Closed Center	N/A	Non Load Reaction	151 [40]	1- 5/16-12	282-1001**	282-1002**	282-1003**	282-1004**	282-1005**
				1- 5/16-12	282-1001	282-1002	282-1003	282-1004	282-1005
Load Sensing	Dynamic	Non Load Reaction	151 [40]	1- 5/16-12	283-1001	283-1002	283-1003	283-1004	283-1005

** Closed Center Units with Neutral Bleed
2,3 l/min [.6 GPM] at 172 bar [2500 PSI]

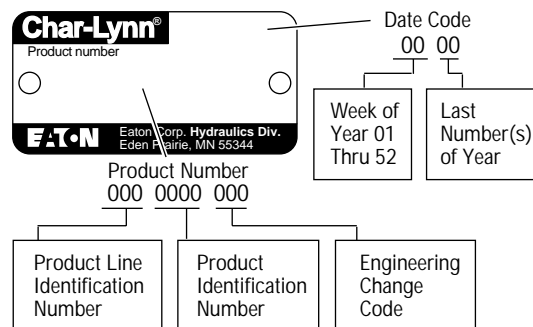
How to Order Replacement Parts

Each Order Must Include the Following:

1. Product Number
2. Date Code
3. Part Name
4. Part Number
5. Quantity of Parts

For More Detailed Information Contact Eaton Corp. Hydraulics Division 15151 Highway 5 Eden Prairie, MN 55344.

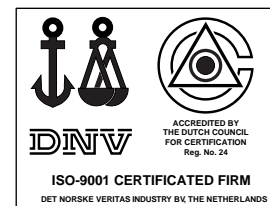
- Specifications and performance data, Catalog No. 11-872
- When servicing Steering Control Unit refer to Repair Information No. 7-308. This repair manual lists tools required, step by step disassembly and reassembly procedures.



Eaton Corporation
Hydraulics Division
15151 Hwy. 5
Eden Prairie, MN 55344
Telephone 612/937-9800
Fax 612/937-7130

Eaton Ltd.
Hydraulics Division
Glenrothes, Fife
Scotland, KY7 4NW
Telephone 01-592-771-771
Fax 01-592-773-184

Eaton GmbH
Hydraulics Products
Am Schimmersfeld 7
40880 Ratingen, Germany
Telephone 02102-406-830
Fax 02102-406-800



Quality System Certified
Products in this catalog are manufactured
in an ISO-9001-certified site.

<http://www.eaton.com>

Copyright Eaton Corporation, 1985, 1993, 1995, and 1997
All Rights Reserved
Printed in USA

Form No. 6-320