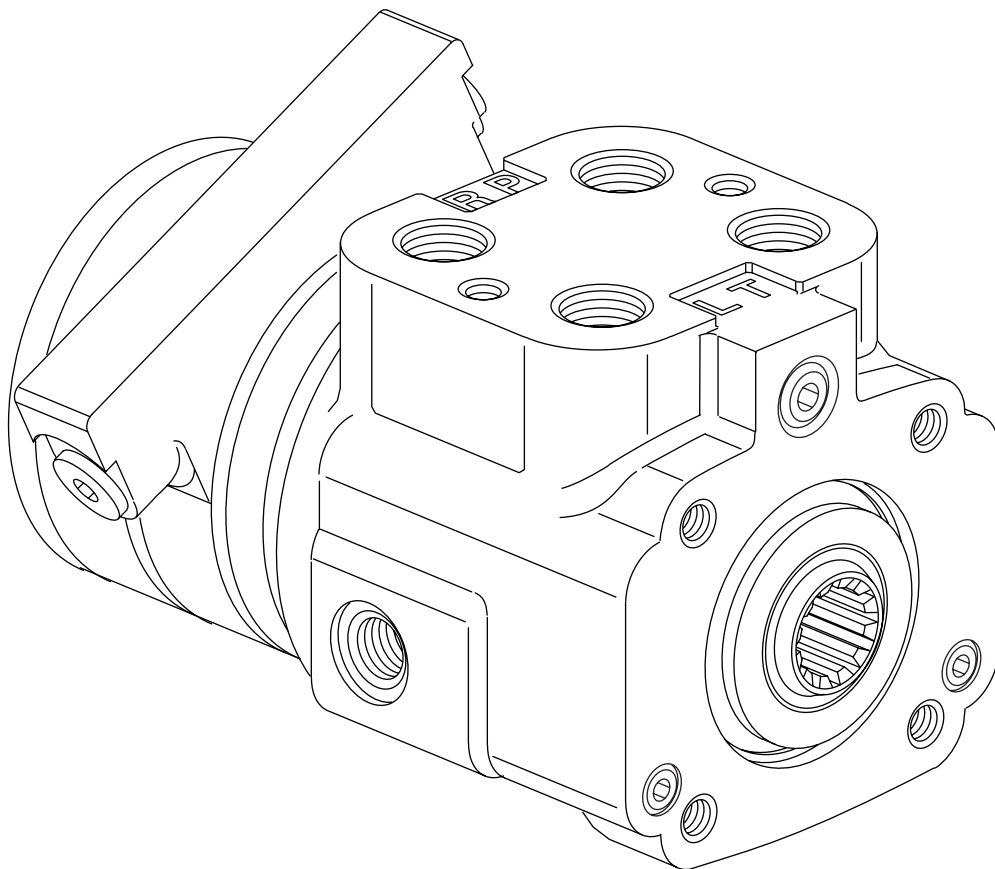


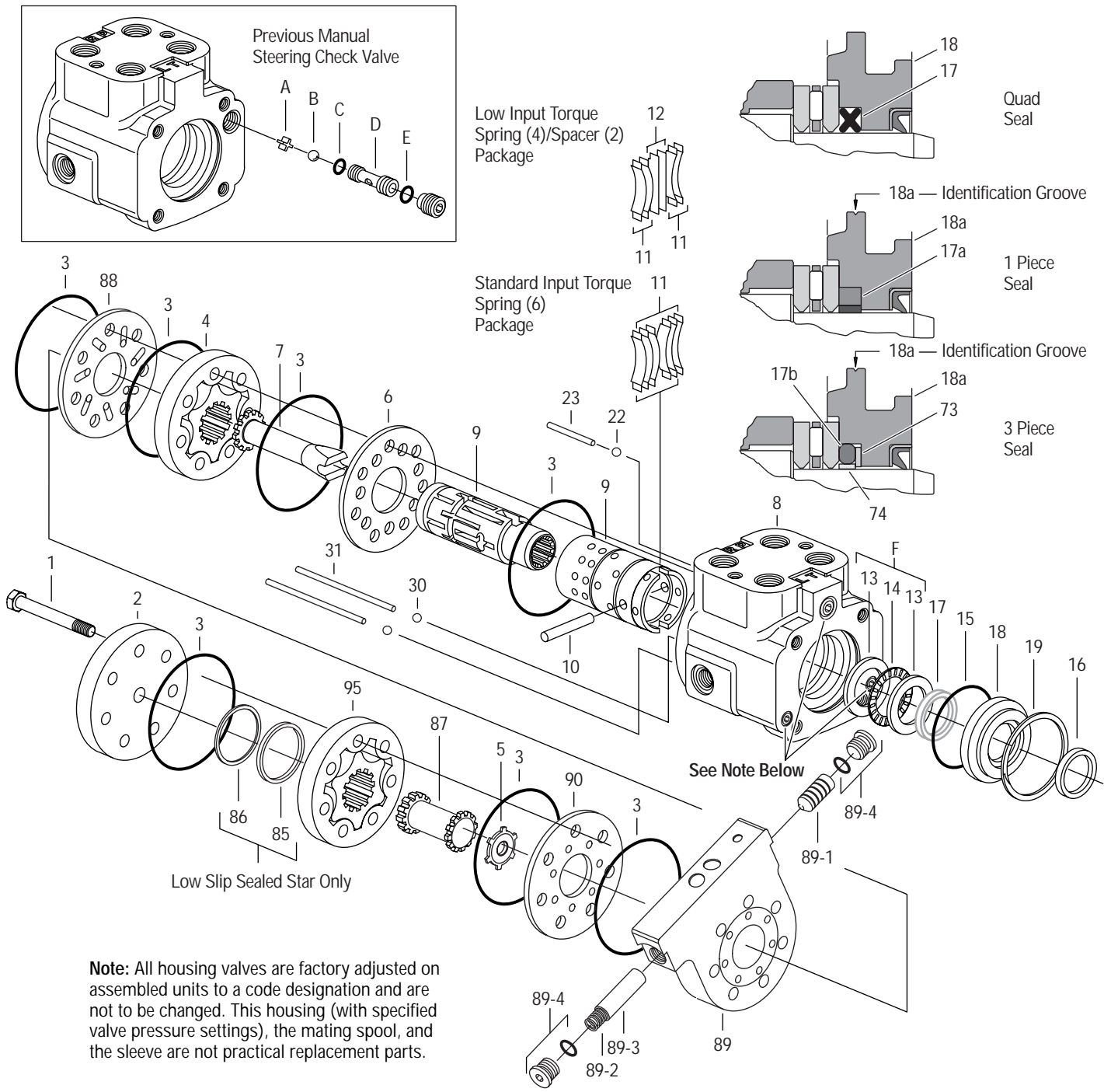


Parts Information



Steering Control Unit
Dual Displacement

002



Centering Spring Installation Kit No. 64431-000 — Includes 6 Centering Springs and 2 Spring Spacers. Use 6 springs for standard steering torque unit spring replacement, or use 4 springs, 2 spring spacers for low input torque steering unit spring replacement.

Steering Control Units — Dual Displacement



Ref. No.	Part Number	Description	Qty. Per Unit
1	*	Cap Screw, Hex Head	7
2	23901-000	Cap, End	1
XO 3	5776-000	Seal, 72,6 mm [2.86 in.] ID	7
4	*	Gerotor	1
5	*	Spacer (when required)	1
6	23092-000	Plate, Spacer	1
7	8000-000	Drive	1
8	NSS	Housing	1
9	NSS	Sleeve, Control	1
	NSS	Spool, Control	1
10	15-000	Pin, Centering	1
**11	NSS	Spring, Centering	6 or 4
**12	NSS	Spring, Spacer	2
F 13	8329-000	Bearing Race	2
F 14	5544-000	Bearing, Needle Thrust	1
XO 15	15074-000	Seal — 47,2 mm [1.86 in.] ID	1
XO 16	844-000	Seal — 24,9 mm [.98 in.] ID	1
	20599-000	Seal, Quad Ring — 26,7 mm [1.05 in.] ID	1
X 17a	9233-001	Seal, Low Torque — 25,4mm [1.00 in.] ID	1
O 17b	250001-121	O-ring — 26,7 mm [1.05 in.] ID	1
	7443-000	Bushing, Seal Gland	1
18a	8703-000	Bushing, Seal Gland — with Identification Groove	1
19	14317-000	Ring, Retaining	1
† 22	285020-080	Ball, Check — 6,35 mm [.250 in.] OD	1
† 23	16026-422	Pin, Roll — 34,92 mm [1.375 in.] Length	1
	30	Ball — 4,762 mm [.1875 in.] OD	2
	31	Pin, Roll — 40,00 mm [1.575 in.] Length	2
O 73	14400-000	Ring, Back-up	1
O 74	9092-033	Seal	1
XO 85	16101-322	Ring, Back-up	1
XO 86	202038-000	Ring, Seal	1
	87	Drive	1
	88	Plate, Valve	1
	89	Valve S/A	1
	89-1	Piston	1
	89-2	Spring, Compression	1
	89-3	Piston, Guide Spring	1
	89-4	Plug S/A	2
XO	250003-906	O-ring	1 each
	90	Plate Valve	1
	95	*	Gerotor
† A	NSS	Retainer, Check Ball	1
† B	NSS	Ball, Check	1
† C	NSS	Seal — 7,6 mm [.30 in.] ID	1
† D	NSS	Seat, Check Ball	1
† E	NSS	Seal — 9,2 mm [.36 in.] ID	1
F	64009-000	Needle Bearing Kit	
	64538-000	Seal Kit — with low input torque (3 piece) seal — contains parts indicated by O.	
	64544-000	Seal Kit — with low input torque (1 piece) seal — contains parts indicated by X.	
	64560-000	Manual steering check valve kit — contains parts indicated by †.	

** — Ref. No. 11 and 12 sold only in kit form (Centering Spring Kit No. 64431-000), or (Special Low Torque Spring Spacer Kit — see page 2).

* — See chart page 4 for information on specific models.

NSS — Not Sold Separately

Steering Control Units — Dual Displacement

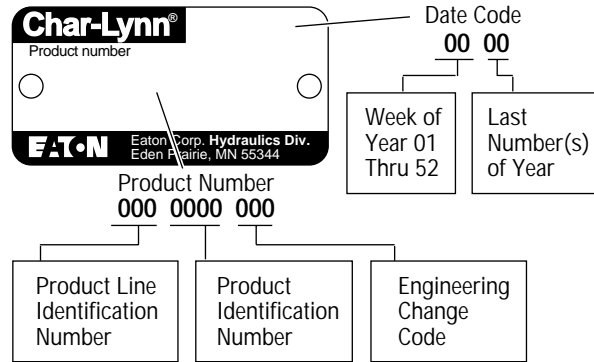
How to Order Replacement Parts

Each Order Must Include the Following:

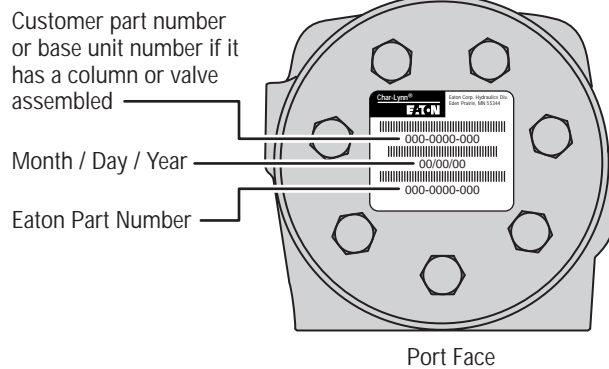
1. Product Number
2. Date Code
3. Part Name
4. Part Number
5. Quantity of Parts

For more detailed information contact Eaton Corp. Hydraulics Division 15151 Highway 5 Eden Prairie, MN 55344.

- Specifications and performance data, Catalog No. 11-872
- When servicing steering control unit refer to Repair Information No. 7-XXX. This repair manual lists tools required, and step by step disassembly and reassembly procedures.



Bar Code Label — Launch Date June, 1999



Manual Displ. cm ³ /r [in ³ /r]	Width mm [in.]	Displ. cm ³ /r [in ³ /r]	Width mm [in.]	Powered Displ. cm ³ /r [in ³ /r]		Ref. No. 1 Cap Screw	Length mm [in.]	Ref. No. 5 Spacer	Width mm [in.]
				Gerotor 1 and 2	Gerotor — Ref. No. 95				
60 [3.6]	8618-023	10,2 [.40]	120 [7.3]	201234-009	16,5 [.65]	179 [10.9]	16336-533	85,7 [3.37]	N/A
60 [3.6]	8618-023	10,2 [.40]	160 [9.7]	201234-004	21,8 [.86]	218 [13.3]	16336-535	92,0 [3.62]	N/A
60 [3.6]	8618-023	10,2 [.40]	185 [11.3]	201234-005	25,4 [1.00]	244 [14.9]	16336-536	95,2 [3.75]	N/A

N/A — Not applicable in these displacements

Eaton Corporation
Hydraulics Division
15151 Hwy. 5
Eden Prairie, MN 55344
Telephone: 612/937-7254
Fax: 612/937-7130

Eaton Ltd.
Hydraulics Division
Glenrothes, Fife
Scotland, KY7 4NW
Telephone: [+44] (0)1592-771-771
Fax: [+44] (0)1592-773-184

Eaton B.V.
Boeing Avenue 11
1119 PC Schiphol-Rijk
The Netherlands
Telephone: [+31] (0)20-655 6776
Fax: [+31] (0)20-655 6800

Sumitomo Eaton Hydraulic Co.
8 Temasek Blvd.
42-01 Suntec Tower Three
Singapore 03988
Telephone: [+65] 832-7727
Fax: [+65] 832-7733

Sumitomo Eaton
Hydraulic Company Ltd.
Ooi-Cho Kameoka-Shi
621-0017 Kyoto
Japan
Telephone: [+81] 771-22-9601
Fax: [+81] 771-29-2020

Eaton Ltd.
7th Floor, Woo Duk Building
832-2 Yeoksam-Dong, Kangnam-Ku
Seoul 135-750
Korea
Telephone: [+82] 2-557-0595
Fax: [+82] 2-557-1634

Eaton Hydraulics (Shanghai) Co. Ltd.
388 Aidu Road, Waigaogiao FTZ
Pudong New Area
Shanghai 200137
Peoples Republic of China
Telephone: [+86] 21-5046 0758
Fax: [+86] 21-5046 0767

Jining Eaton Hydraulic Co. Ltd.
6 Ji Da Road
Jining City
Shandong Province 272131
Peoples Republic of China
Telephone: [+86] 537-2221288
Fax: [+86] 537-2221557



Quality System Certified
Products in this catalog are manufactured
in an ISO-9001-certified site.

www.eatonhydraulics.com

Copyright Eaton Corporation 1999
All Rights Reserved
Printed in USA

Form No. 6-327

