



Repair Information



Disassembly

Tools required for disassembly and reassembly.

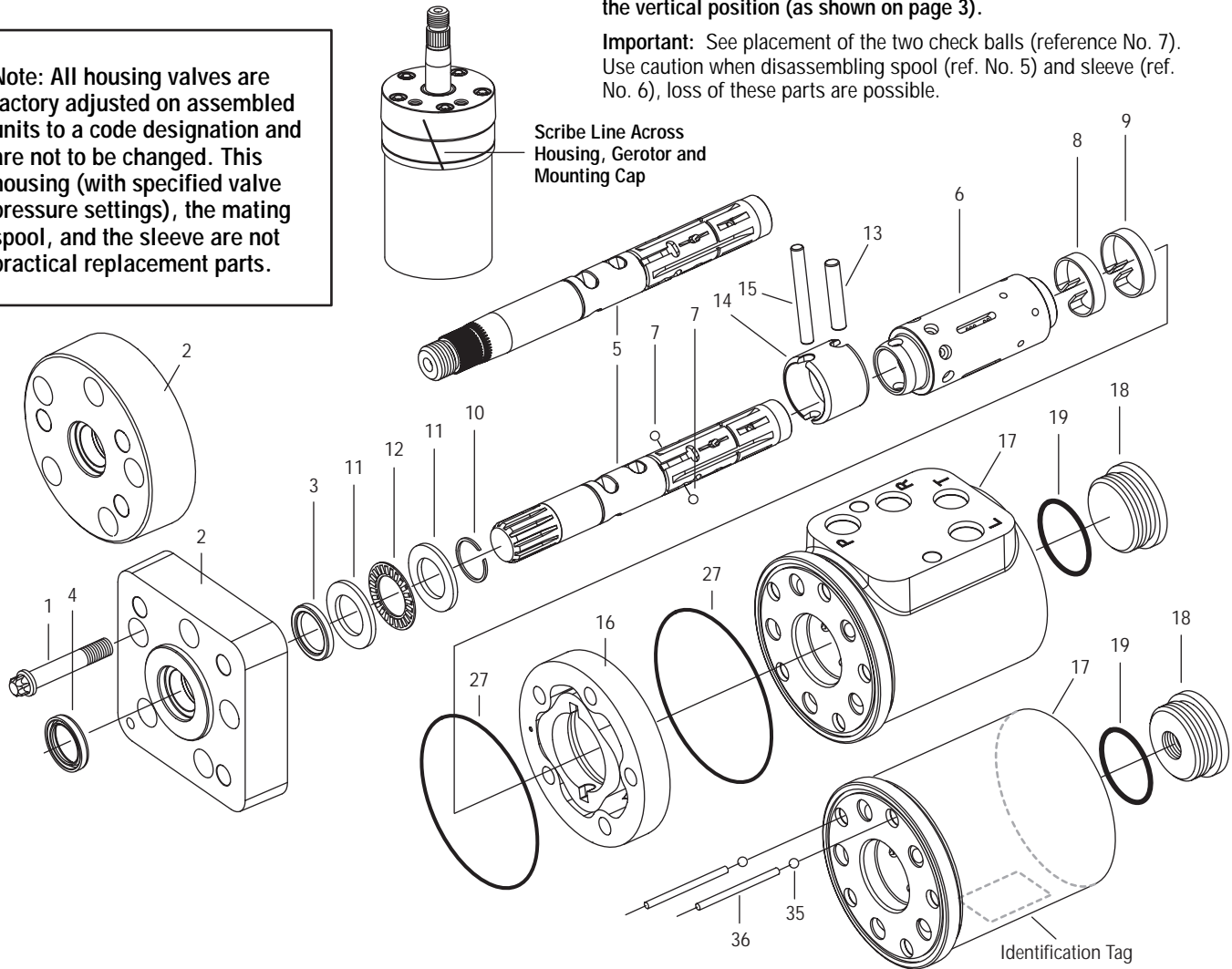
- 6 Point (E10) Drive part No. 64489-000.*
- Breaker bar wrench.
- Torque wrench (30 Nm [275 lb-in] capacity).

* Tools available—by special order—through our service department.

Cleanliness is extremely important when repairing a steering control unit. Work in a clean area. Before disconnecting lines, clean port area of unit thoroughly. Use a wire brush to remove foreign material and debris from around exterior joints of the unit.

Important: Scribe (mark) a line across housing, gerotor and mounting cap for reference alignment when unit is reassembled.

Note: All housing valves are factory adjusted on assembled units to a code designation and are not to be changed. This housing (with specified valve pressure settings), the mating spool, and the sleeve are not practical replacement parts.



1 Disassemble steering control unit as shown below.

Note: This unit should be disassembled with the shaft end up in the vertical position (as shown on page 3).

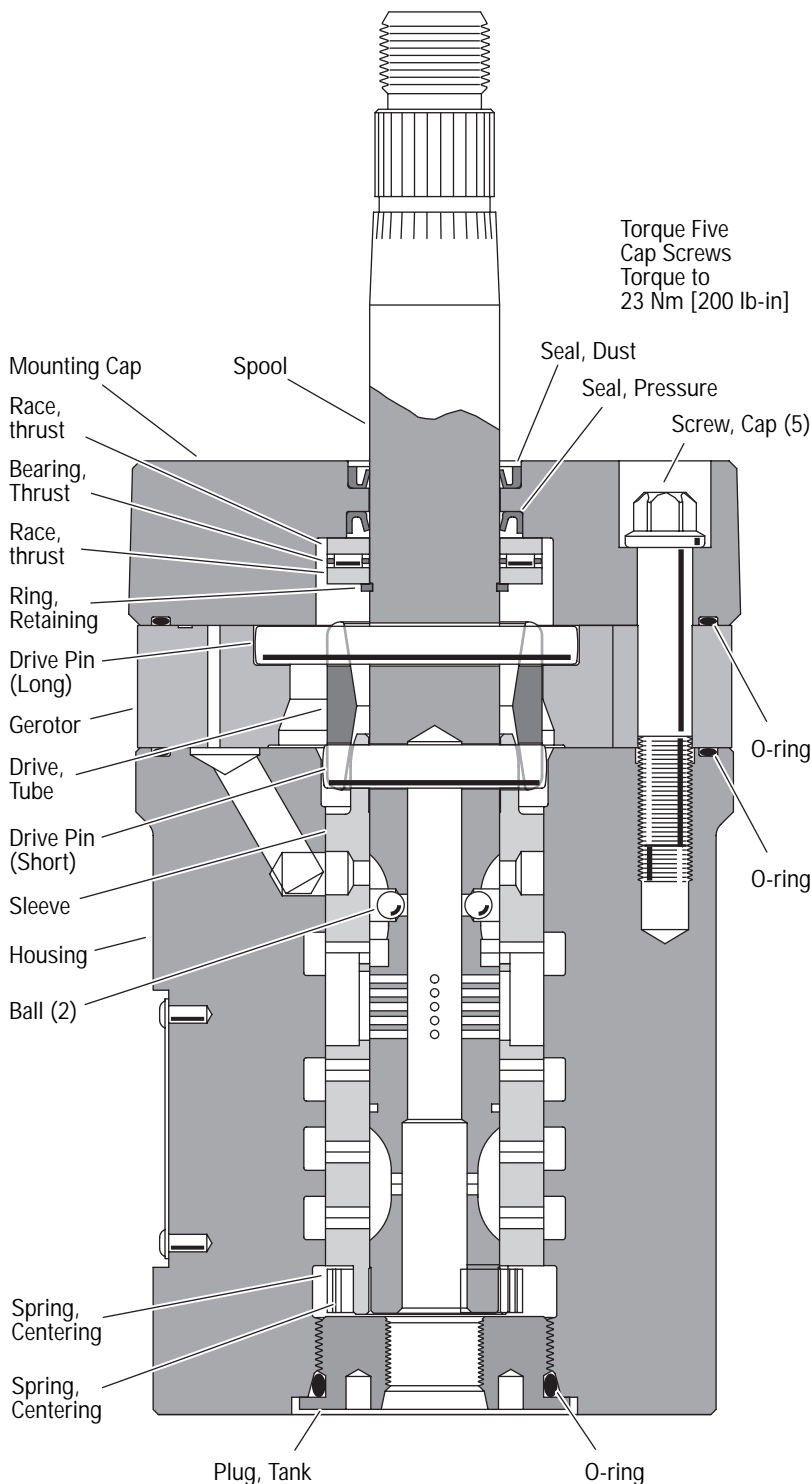
Important: See placement of the two check balls (reference No. 7). Use caution when disassembling spool (ref. No. 5) and sleeve (ref. No. 6), loss of these parts are possible.

Ref. No.	Description
1	Screw, Cap
2	Mounting Cap
3	Seal, Pressure
4	Seal, Dust
5	Spool
6	Sleeve
7	Ball

Ref. No.	Description
8	Spring, Centering
9	Spring, Centering
10	Ring, Retaining
11	Race, thrust
12	Bearing, Thrust
13	Drive Pin (Short)
14	Drive, Tube

Ref. No.	Description
15	Drive Pin (Long)
16	Gerotor
17	Housing
18	Plug, Tank
19	O-ring
35	Ball (Optional)
36	Pin, Roll (Optional)

Reassembly



- 1 Install o-ring (82,6 [3.25] OD) on tank plug.
- 2 Assemble tank plug into housing. Torque tank plug to 47,5 Nm [35 lb-ft].
- 3 Assemble cylinder relief valves (reference No.s 35 and 36 when applicable)
- 4 Install housing o-ring (82,6 [3.25] OD) into groove.
- 5 Lay gerotor on the housing, lining up bolt holes, check alignment per scribed (mark) line (last instruction before any disassembly — see **Important: Scribe ...** - page 2).
- 6 Install pressure seal into inside cavity of mounting cap (25,4 [1.00] OD x 4,0 [.16] W).
- 7 Install dust seal (25,4 [1.00] OD x 3,2 [.12] W) into mounting cap.
- 8 Install manual steering balls (2) into spool. Grease balls to retain in holes.
- 9 Insert spool into sleeve, lining up the spring slots.
- 10 Install smaller centering spring onto spool/sleeve assembly.
- 11 Install larger centering spring onto spool/sleeve assembly.
- 12 Insert shorter drive pin.
- 13 Install drive tube to assembly, wider groove downward.
- 14 Slide spool/sleeve/tube assembly into housing bore, through the gerotor star. Before spool/sleeve/tube reaches the tank plug, line up pin slot in gerotor with pin slot in drive tube, insert longer drive pin, then continue to slide spool/sleeve/tube into housing until the pin sets into the gerotor.
- 15 Install the retaining ring into groove on spool.
- 16 Install bearing race-bearing-bearing race onto the retaining ring.
- 17 Grease o-ring (82,6 [3.25] OD) and install into mounting cap.
- 18 Carefully Install mounting cap over spool so as not to cut or damage seals. Lining up bolt holes, check alignment per scribed (mark) line (last instruction before any disassembly — see **Important: Scribe ...** - page 2).
- 19 Install 5 bolts. Torque to 23 Nm [200 in-lb].

Flex 4 Steering Control Unit

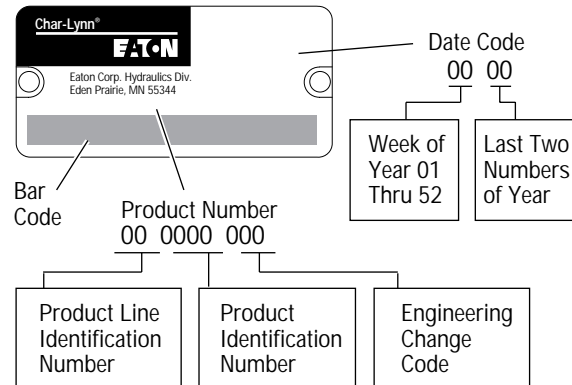
How to Order Replacement Parts

Each Order Must Include the Following:

1. Product Number
2. Date Code
3. Part Name
4. Part Number
5. Quantity of Parts

For more detailed information contact Eaton Hydraulics
14615 Lone Oak Road Eden Prairie, MN 55344.

- Specifications and performance data, Catalog 11-872.
- Replacement part numbers and kit information — Parts Information 06-00-000.
- Seal Kit — 04-03-364



Information contained in this catalog is accurate as of the publication date and is subject to change without notice. Performance values are typical values. Customers are responsible for selecting products for their applications using normal engineering methods.

Eaton Hydraulics
14615 Lone Oak Road
Eden Prairie, MN 55344
Telephone: 952 937-7254
Fax: 952 937-7130
www.eatonhydraulics.com

46 New Lane, Havant
Hampshire PO9 2NB
England
Telephone: (44) 23 92 486 451
Fax: (44) 23 92 487 110



Quality System Certified
Products in this catalog are
manufactured in an
ISO-9001-certified site.