

Service Data

Vickers®

Directional Controls



Pilot Operated Directional Control Valves

(F3)-DG3S-H8-*A*-*-20 (LH)

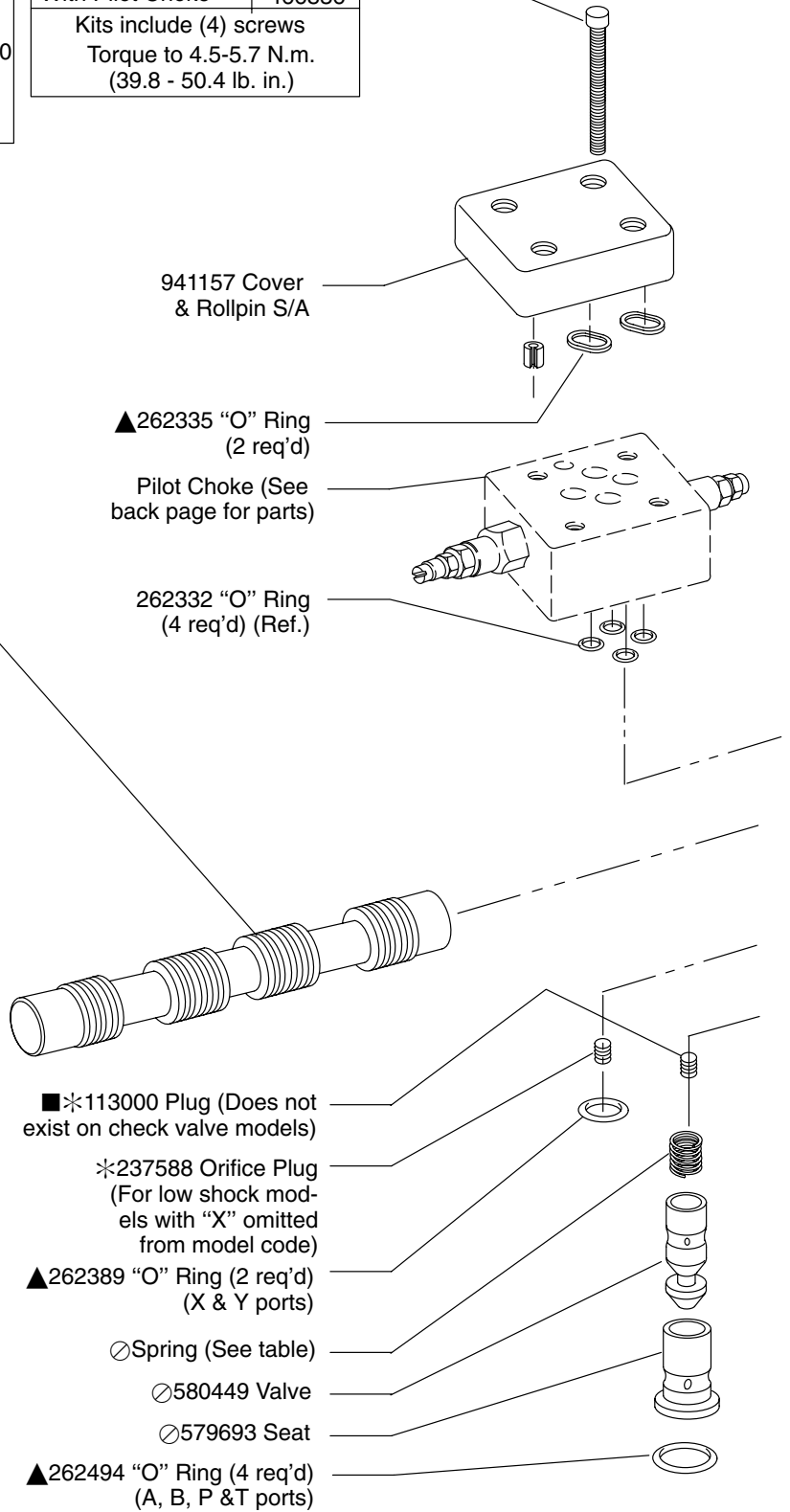
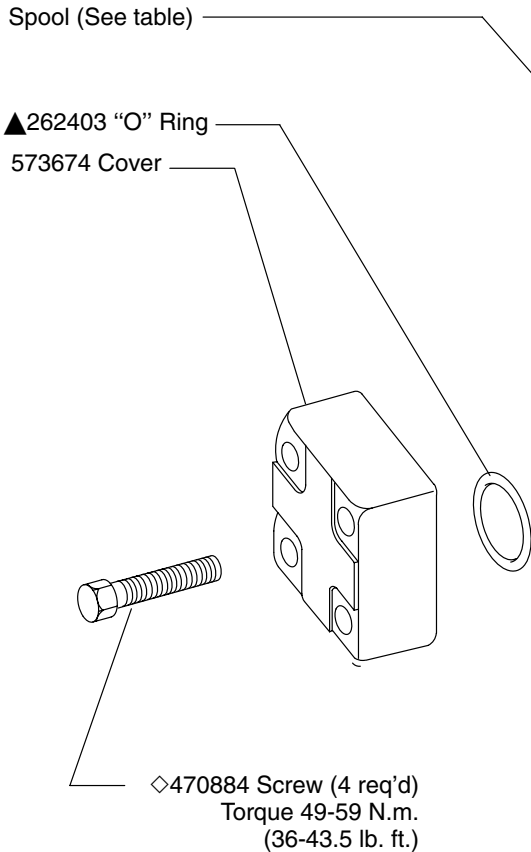


Model	Spool	I.D. Plate	
		L.H.	R.H.
DG3S-H8-0A*-*-*-20	786350	434311	400960
DG3S-H8-2A*-*-*-20	786349		
DG3S-H8-6A*-*-*-20	786559		
DG3S-H8-9A*-*-*-20	786561		
DG3S-H8-33A*-*-*-20	786562		

Model	Bolt Kit
Without Pilot Choke	466834
With Pilot Choke	466836
Kits include (4) screws Torque to 4.5-5.7 N.m. (39.8 - 50.4 lb. in.)	

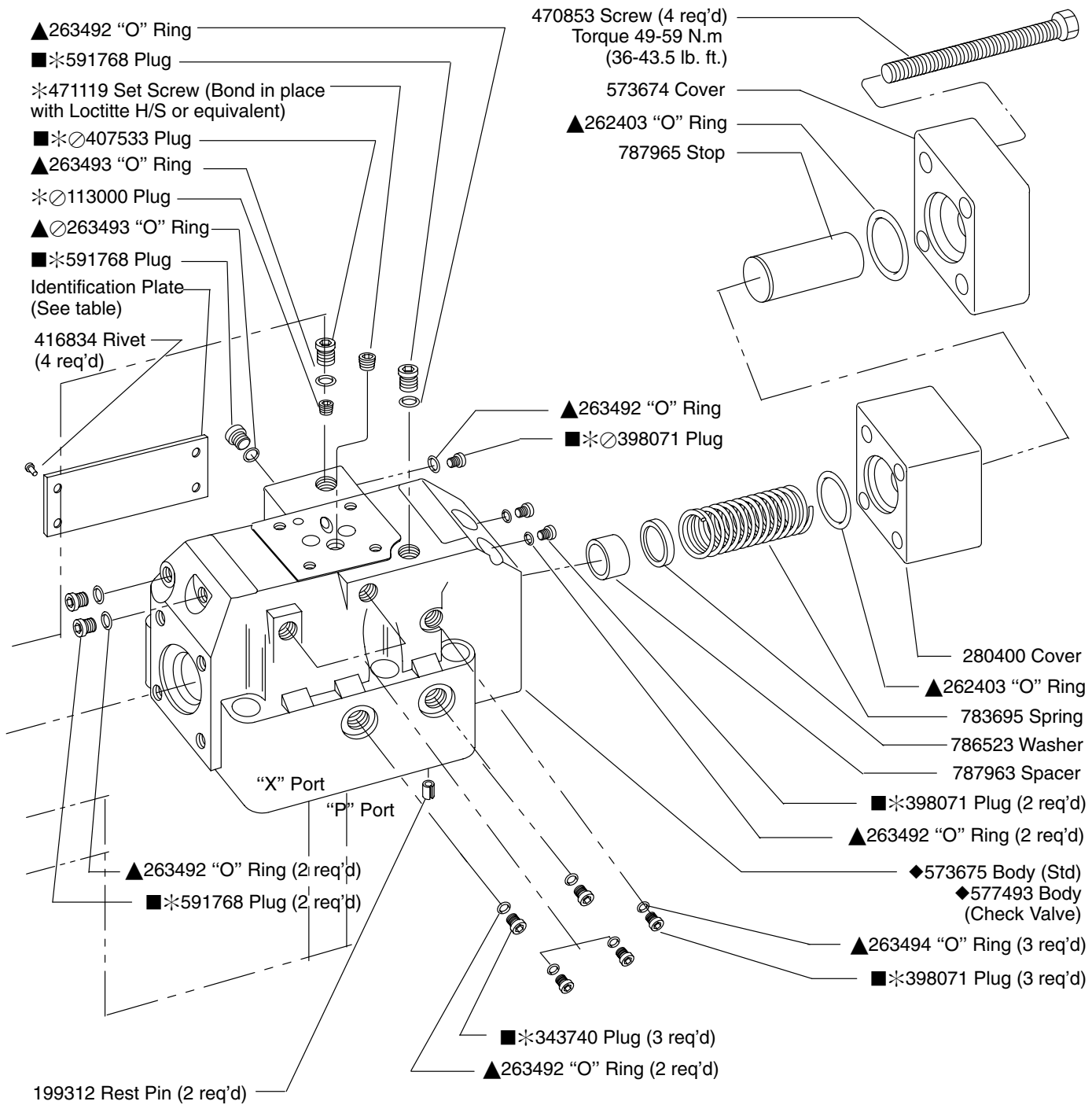
Note

- Part numbers included in service kits will not be sold separately.
- All threaded fasteners are metric.
- End cover screws are metric grade 12.9.



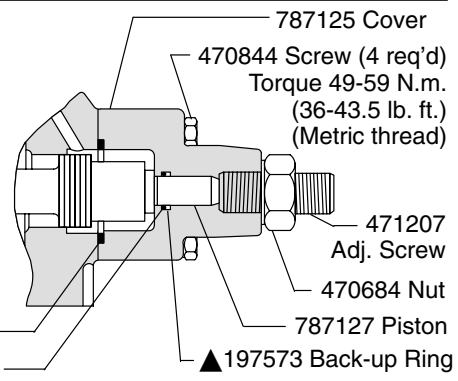
■ Plug torques (oiled)		
Plug	Torque (N.m.)	Torque (lb. in.)
343740	10.0 - 11.8	90-105
398071	3.4 - 4.0	30-35
407533	3.4 - 4.0	30-35

Model	⊘Spring	Color
DG3S-H8-***-K-***-10	398130	—
DG3S-H8-***-R-***-10	398131	Yellow
DG3S-H8-***-R-***-10	398132	Red



- ▲ Included in F3 Seal Kit 920137
- ◇ Included in Fastener Kit 941176
- * Included in Plug Kit 941167
- ◆ Not available for sale
- Used on Check Valve models only
- Plug Torques (See table)

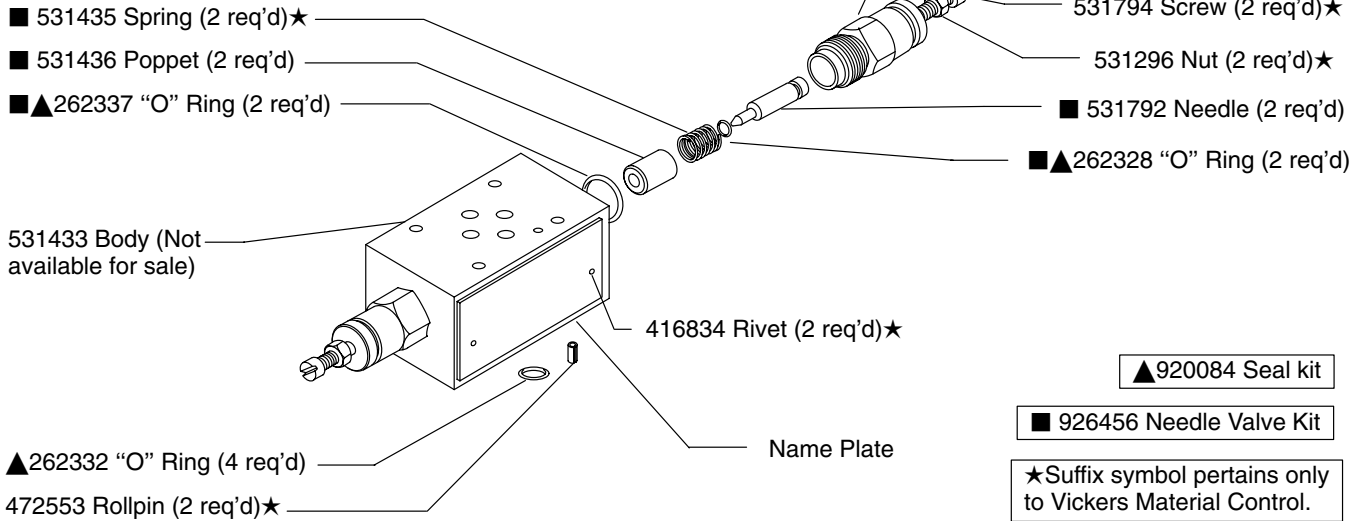
Note
 Parts shown included in Stroke Adjustment Kit 941156. Order two kits if stroke adjust for both ends is required.



- ▲ 263403 "O" Ring
- ▲ 262335 "O" Ring

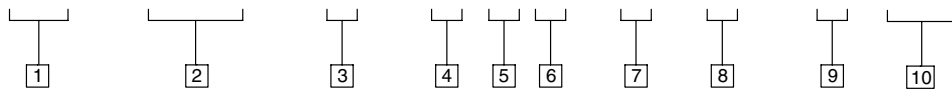
Pilot Choke

DGMFN-3-Y-A2W-B2W-21



Model Code

(F3) - DG3S - H8 - * A * - * - * - 20 (LH)



1 Seal Material

F3 - Special seals for mineral oil or fire resistant fluid

2 Model Series

DG3S - Directional valve, subplate mounted, pilot operated, rated pressure 210 bar (3000 psi)

3 Interface (High Flow)

H8 - CETOP 8

4 Spool Type

5 Valve Type

A - Spring offset

6 Fast Response "X"

(Omit for standard models)

7 Spool Control Modification

(Omit when not required)

2 - Pilot choke adjustments

7 - Stroke adjustment, cylinder "A" end only

8 - Stroke adjustment, cylinder "B" end only

2-7 - If both are required

2-8 - If both are required

8 Check Valve in Pressure Port

(Omit when not required)

K - 0,35 bar (5 psi)

R - 3,45 bar (50 psi)

S - 5,20 bar (75 psi)

9 Design

10 Offset to "B"

(Omit for std. offset to "A" models)

For satisfactory service life of these components, use full flow filtration to provide fluid which meets ISO cleanliness code 18/15 or cleaner. Selections from Eaton OFF, OFR and OFRS filter series are recommended.

Printed in U.S.A.