

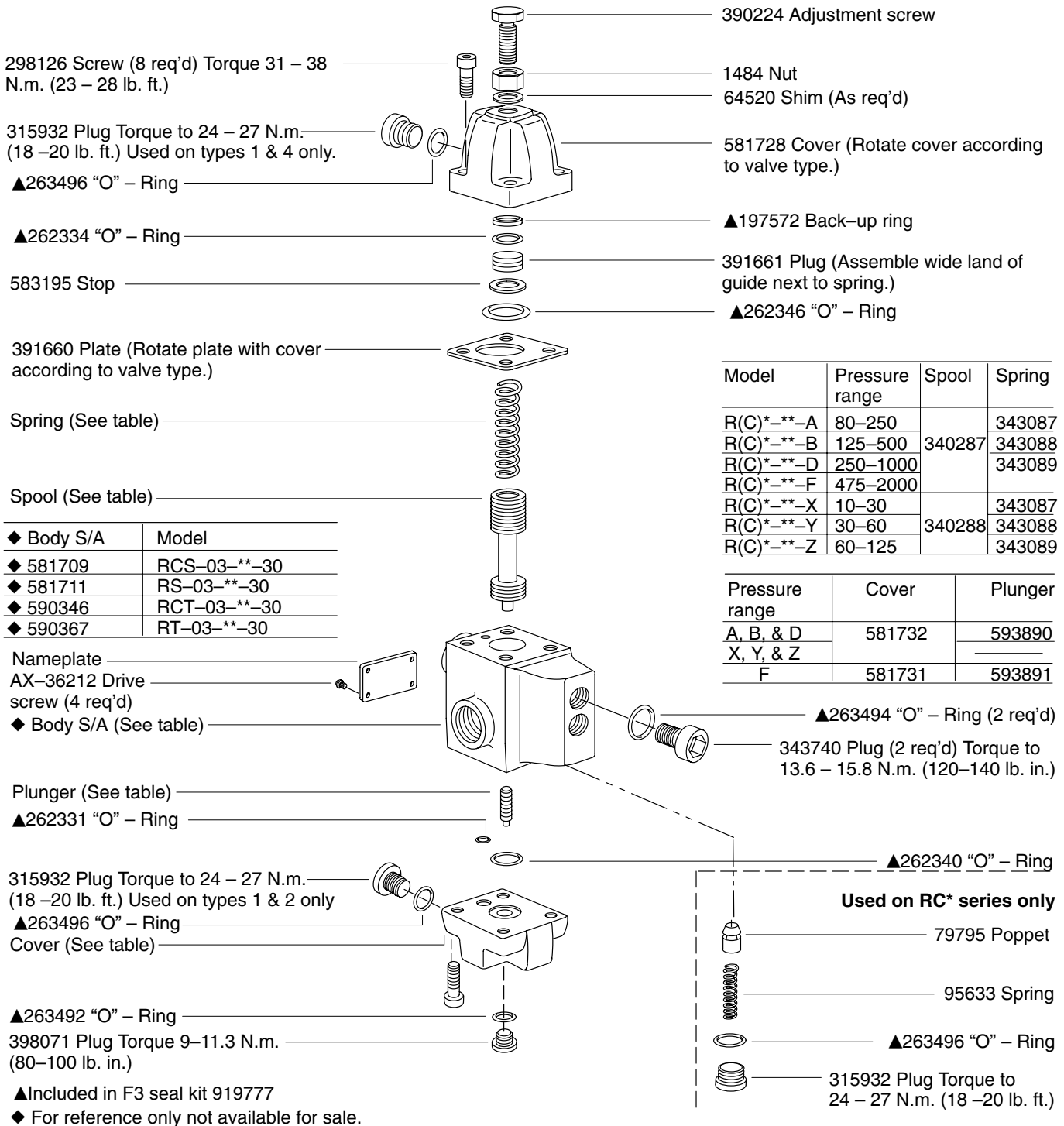
Pressure Relief



Pressure Control Valves

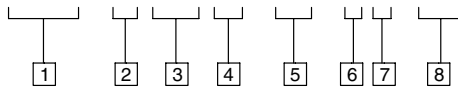
R(C)T-03-**-30

R(C)S-03-**-30



Model Code

(F3) - R (C) * - 03 - * * - 30



1 Special seals
(Omit on STD. models.)

2 Pressure control valve

3 Check valve option
C – With integral check valve
 (Reverse free flow)
Omit – No check valve

4 Mounting

S – .750–16 UNF–2B thread
T – 3/8" NPTF thread

5 Connection size

03 – 3/8"

6 Pressure range

A – 80 – 250 PSI
B – 125 – 500 PSI
D – 250 – 1000 PSI
F – 475 – 2000 PSI
X – 10 – 30 PSI
Y – 30 – 60 PSI
Z – 60 – 125 PSI

7 Valve types

(Inset views at bottom of page show cover positions for the (4) valve types.)

8 Design

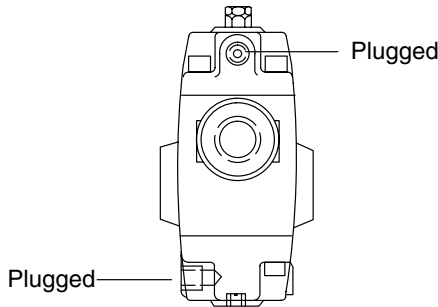
Typical model number
RCG-03-D4-30

Note

Assemble covers as shown to obtain valve action desired.

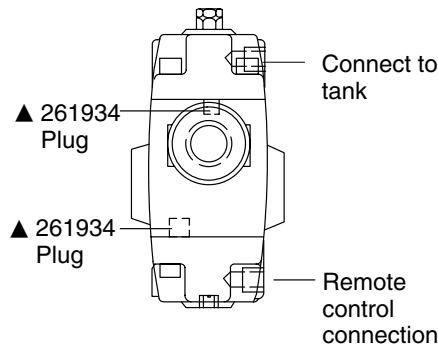
Type 1

RT series – Back pressure valve
 RCT series – Counterbalance valve
 Directly controlled internal drain



Type 3

RT or RCT series – Sequence valves
 Remotely controlled external drain

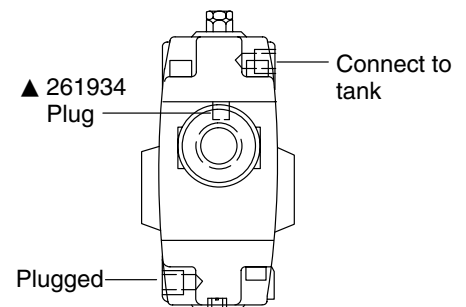


Note

Assemble covers as shown to obtain valve action desired.

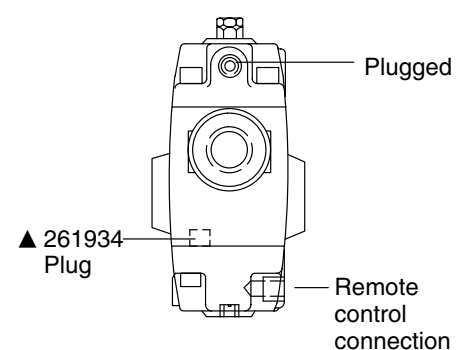
Type 2

RT or RCT series – Sequence valves
 Directly controlled external drain



Type 4

RT series – Unloading valve
 RCT series – Counterbalance valve
 Remotely controlled internal drain



For satisfactory service life of these components, use full flow filtration to provide fluid which meets ISO cleanliness code 16/13 or cleaner. Selections from pressure, return, and in-line filter series are recommended.