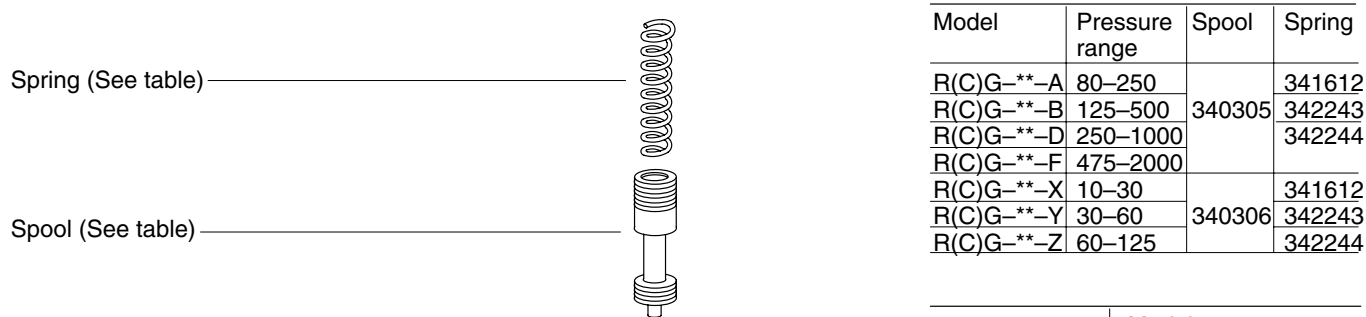
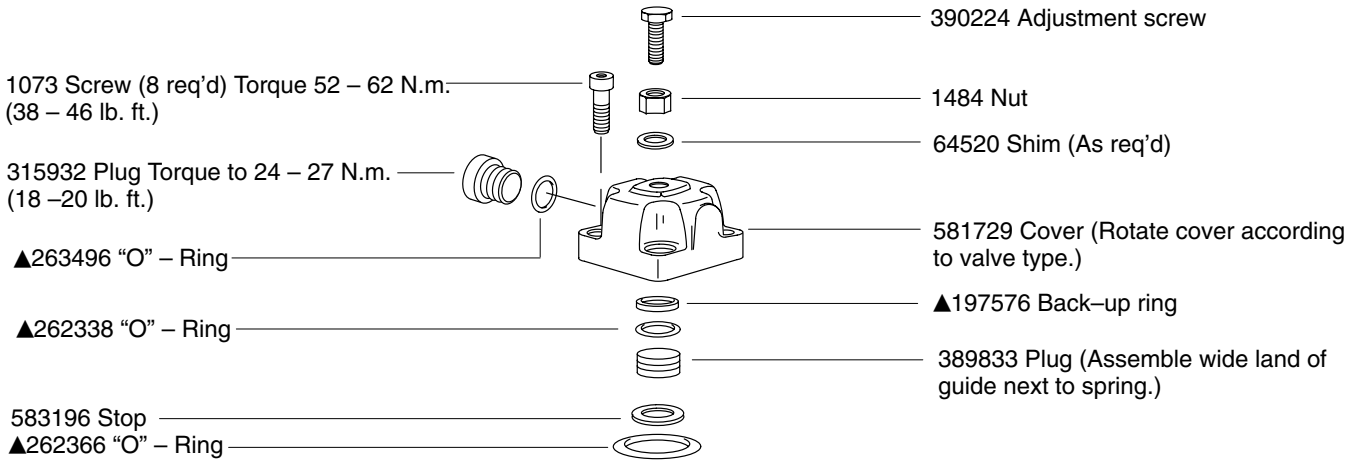


Pressure Relief

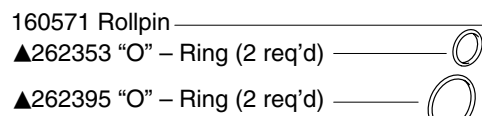


Pressure Control Valves

R(C)G-06-**-30 Series

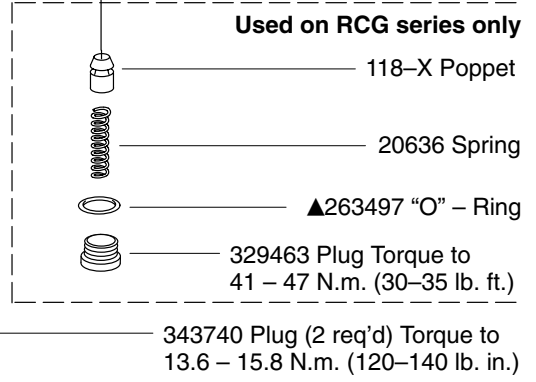
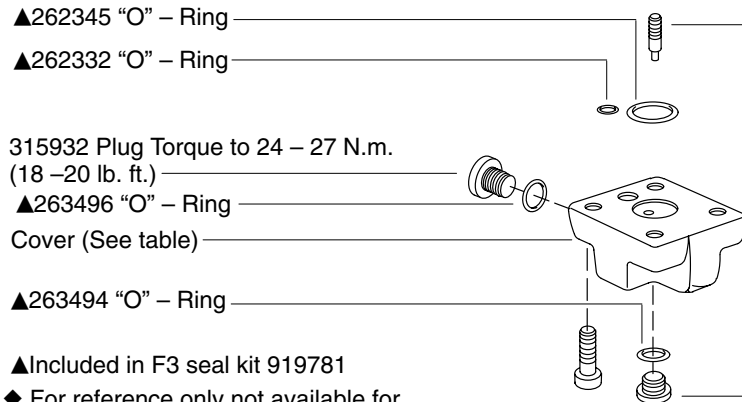
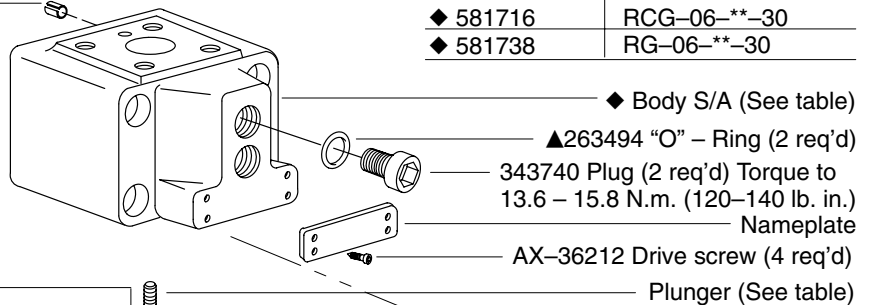


Model	Pressure range	Spool	Spring
R(C)G-**-A	80–250	340305	341612
R(C)G-**-B	125–500		342243
R(C)G-**-D	250–1000		342244
R(C)G-**-F	475–2000		
R(C)G-**-X	10–30	340306	341612
R(C)G-**-Y	30–60		342243
R(C)G-**-Z	60–125		342244



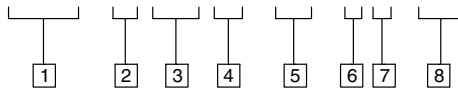
◆ Body S/A	Model
◆ 581716	RCG-06-**-30
◆ 581738	RG-06-**-30

Pressure range	Cover	Plunger
A, B, & D	583190	593888
X, Y, & Z		
F	583189	593889



Model Code

(F3) - R (C) G - 06 - * * - 30



1 Special seals
(Omit on STD. models.)

2 Pressure actuated control valve

3 Check valve option
C – With integral check valve
 (Reverse free flow)
Omitted – Without check valve

4 Mounting
 Manifold or Subplate

5 Nominal valve size
06 – $\frac{3}{4}$ ''

6 Pressure range
A – 80 – 250 PSI max.
B – 125 – 500 PSI max.
D – 250 – 1000 PSI max.
F – 475 – 2000 PSI max.
X – 10 – 30 PSI max.
Y – 30 – 60 PSI max.
Z – 60 – 125 PSI max.

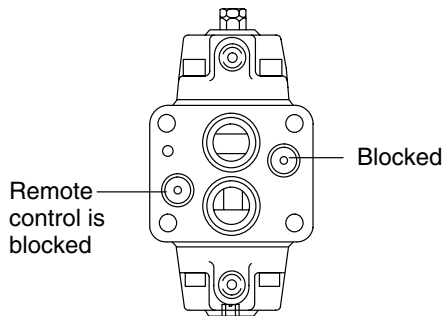
7 Valve types
 (Inset views at bottom of page show cover positions for the (4) valve types.)

8 Design

Typical model number
 RCG-06-D4-30

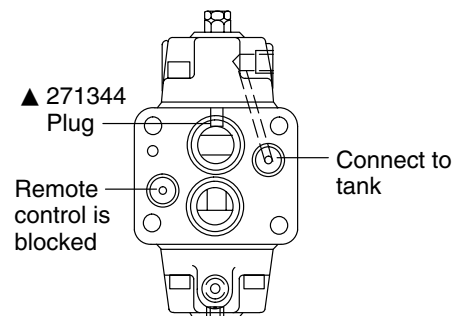
Note
 Assemble covers as shown to obtain valve action desired.

Type 1
 RG series – Back pressure valve.
 RCG series – Counterbalance valve.
 Directly controlled internal drain

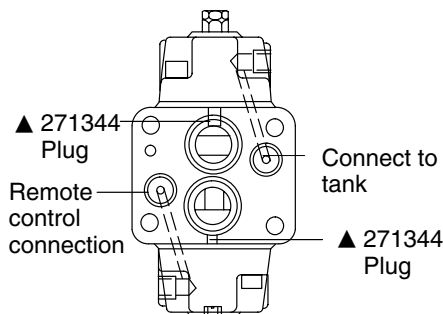


Note
 Assemble covers as shown to obtain valve action desired.

Type 2
 RG or RCG series – Sequence valves.
 Directly controlled external drain



Type 3
 RG or RCG series – Sequence valves.
 Remotely controlled external drain



Type 4
 RG series – Unloading valve.
 RCG series – Counterbalance valve.
 Remotely controlled internal drain

