

Service Data

Vickers®

Directional Controls



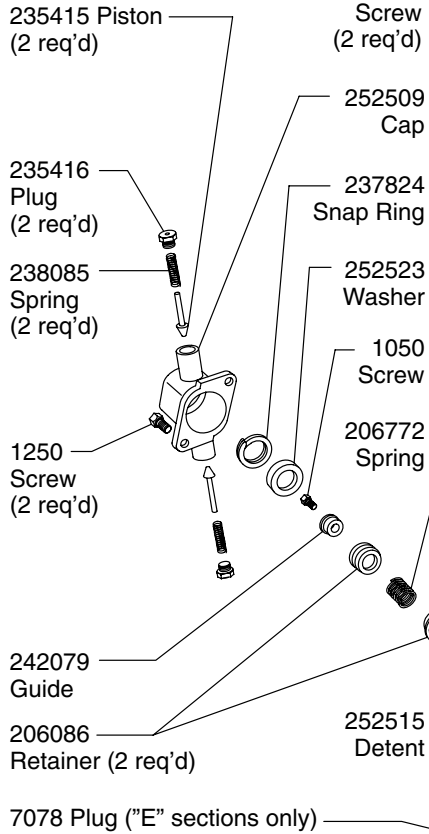
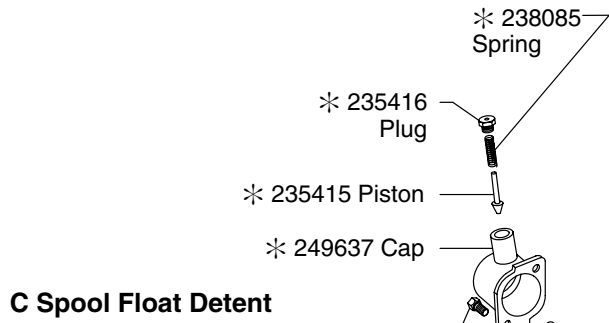
Multiple Unit Valves

CM2 Series -30 Design



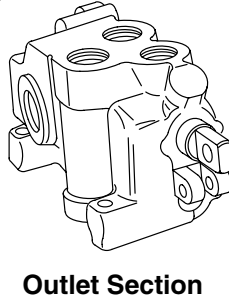
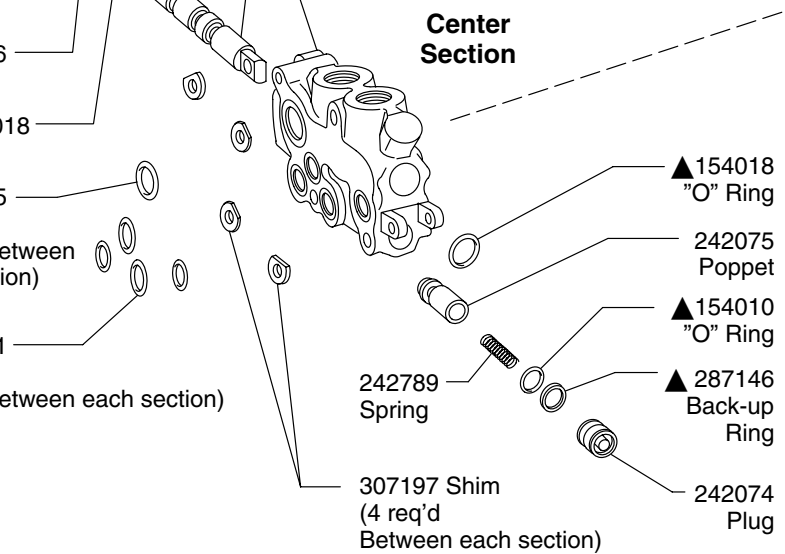
Spool Modification "1" Detent

C Spool Float Detent



Body and Spool not available separately. Order Valve Section by Model Number.

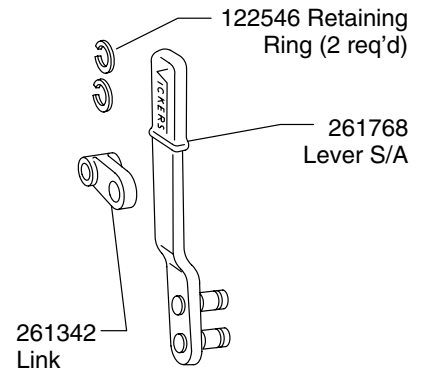
Center Section



"L" Section

Body	Model Designation
313693	CM2NO1-L-30
313713	CM2NO2-L-30

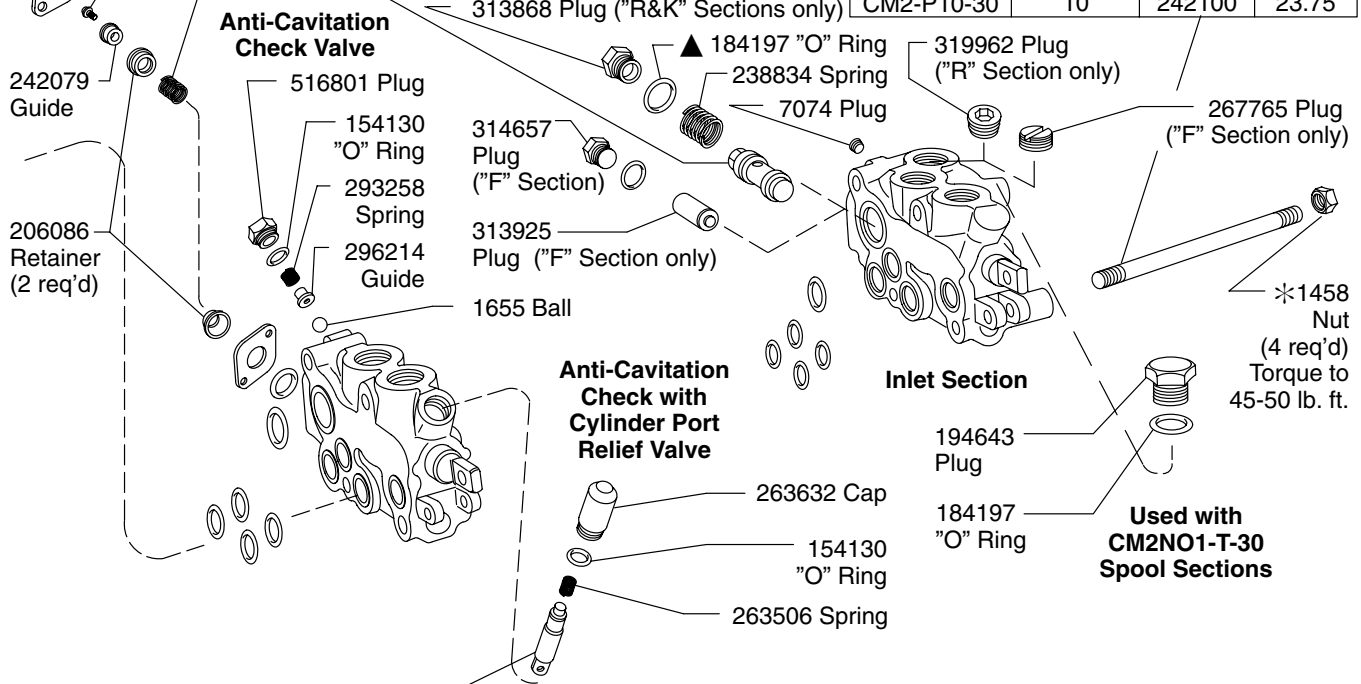
Fulcrum Rod	Length (Inches)	Operating Sections	Lever Kit Model
262721	2.781	1	CM2-H1-30
262722	5.206	2	CM2-H2-30
262723	7.466	3	CM2-H3-30
262724	9.726	4	CM2-H4-30
262725	11.986	5	CM2-H5-30
262726	14.246	6	CM2-H6-30
262727	16.506	7	CM2-H7-30
262728	18.766	8	CM2-H8-30
262729	21.026	9	CM2-H9-30
262730	23.286	10	CM2-H10-30



206772 Spring
1050 Screw
257196 Cap
1248 Screw (2 req'd)

Control Valve S/A	Relief Setting (PSI)	Model Designation
319693	500	CM2NO*-*05*-30
319694	750	CM2NO*-*07*-30
319695	1000	CM2NO*-*10*-30
319696	1250	CM2NO*-*12*-30
319697	1500	CM2NO*-*15*-30
319698	1750	CM2NO*-*17*-30
319699	2000	CM2NO*-*20*-30
319700	2250	CM2NO*-*22*-30
319701	2500	CM2NO*-*25*-30

*Stud Kit Model	Operating Sections	■ Stud (4 req'd)	Length (Inches)
CM2-P1-30	1	280786	5.75
CM2-P2-30	2	242092	5.75
CM2-P3-30	3	242093	8.00
CM2-P4-30	4	242094	10.25
CM2-P5-30	5	242095	12.50
CM2-P6-30	6	242096	14.75
CM2-P7-30	7	242097	17.00
CM2-P8-30	8	242098	19.25
CM2-P9-30	9	242099	21.50
CM2-P10-30	10	242100	23.75

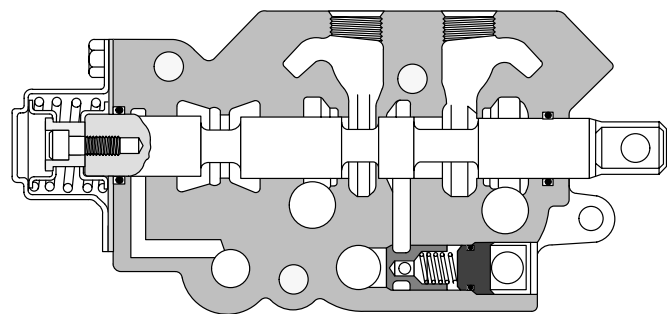


Port Valve S/A	Relief Setting (PSI)	Model Designation
263601	750	CM2NO*-*30*-07
263602	1000	CM2NO*-*30*-10
263603	1250	CM2NO*-*30*-12
263604	1500	CM2NO*-*30*-15
263605	1750	CM2NO*-*30*-17
263606	2000	CM2NO*-*30*-20
263607	2250	CM2NO*-*30*-22
263608	2500	CM2NO*-*30*-25
294688	2750	CM2NO*-*30*-27
263610	3000	CM2NO*-*30*-30
263611	3250	CM2NO*-*30*-32
263612	3500	CM2NO*-*30*-35

Service all units with F3 Seal Kit 920124

▲ Included in 922926 Seal Kit

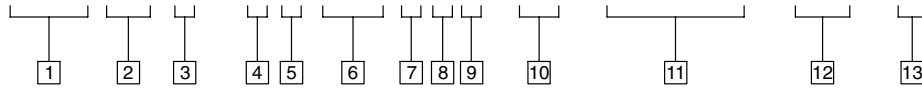
* Included in 923583 Detent Kit



Assembly View

Model Code

CM2 N* 2 - * * V * * * - 30 - A**B** - AB - N**



1 Model Series

CM2 - Mobile directional valve, series designation 2

2 Valve Bank Modification

NO - No modification
NS - Electric switch actuator

3 Port Connections

2 - 1.312 - 12 straight thread (inlet)
1.615 - 12 straight thread (outlet)

4 Inlet Body Type

F - Carry over port - no relief valve
R - Standard - relief valve (partial flow bypass)
K - Standard - relief valve (full flow bypass)

5 System Relief Valve Setting (PSI)

05 - 500 20 - 2000
07 - 750 22 - 2250
10 - 1000 25 - 2500
12 - 1250 27 - 2750
15 - 1500 30 - 3000
17 - 1750 32 - 3250
 35 - 3500

6 Adjustable System Relief Valve Setting - PSI

(Omit if not required)

05 - 500 20 - 2000
07 - 750 22 - 2250
10 - 1000 25 - 2500
12 - 1250 27 - 2750
15 - 1500 30 - 3000
17 - 1750 32 - 3250
 35 - 3500

7 Spool Type

B - Motor
C - Float
D - Double acting
T - Single acting
W - Reverse T spool (single acting)

8 Spool Modification

(Omit if not required)

1 - Detent for B, D, T or W spools

9 Outlet Body Type

L - Standard
E - Carry over port

10 Design

11 1st Spool

A** - Check and port relief on end "A"
B** - Check and port relief on end "B"

12 2nd Spool

A - Check only on end "A"
B - Check only on end "B"

13 3rd Spool

N - No check or relief valve in port "A" or "B"

For satisfactory service life of these components in industrial applications, use full flow filtration to provide fluid which meets ISO cleanliness code 20/18/15 or cleaner. Selections from Eaton OFF, OFR, and OFRS series are recommended.